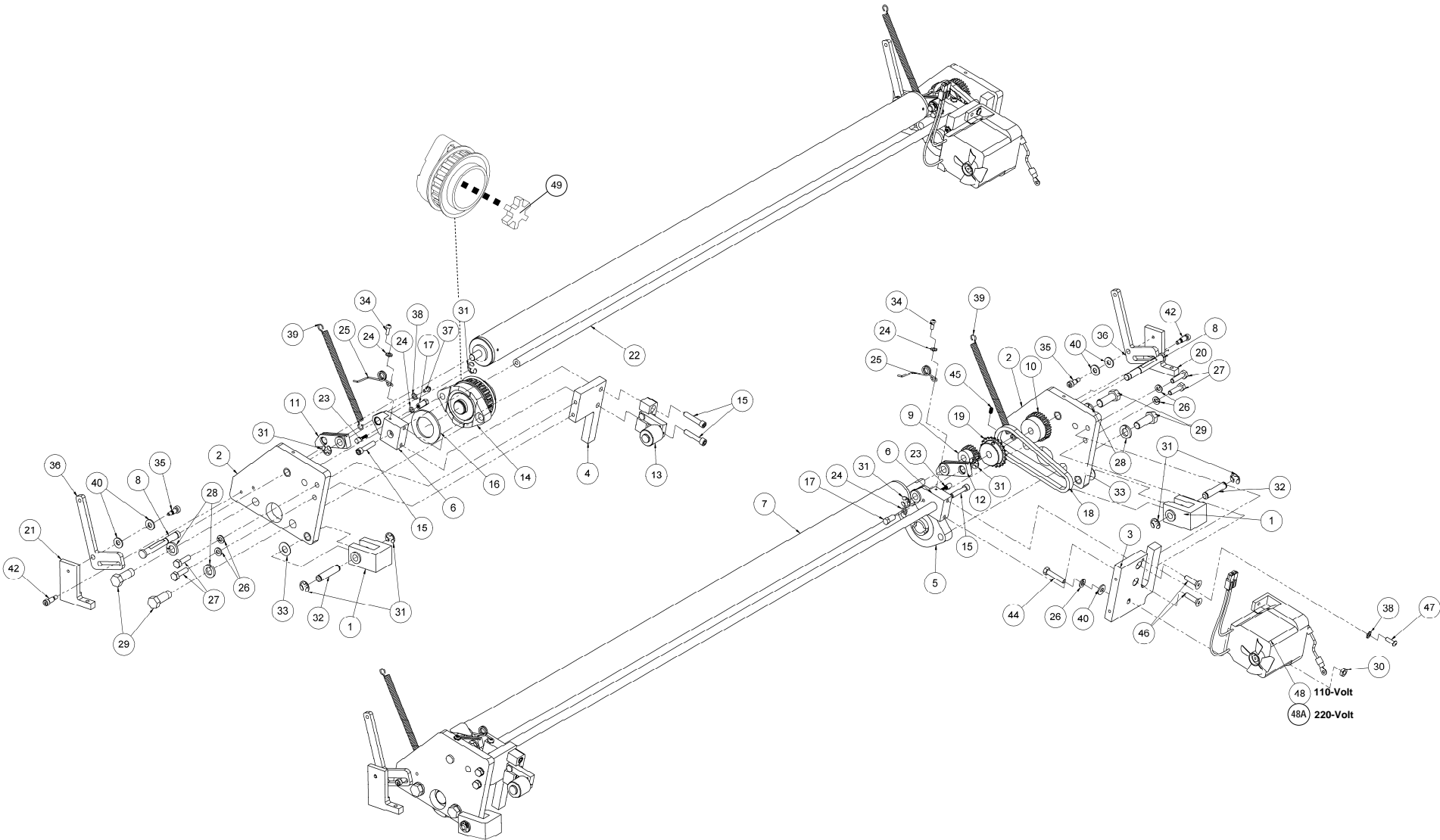


Oiling & Buffing System – Transfer Roller



Oiling & Buffing System – Transfer Roller

	NUMBER	DESCRIPTION
1	294-115-021	Pivot Bracket Assembly
2	294-115-014	Buffer Side Plate Assembly
3	294-115-629	Transfer Motor Mounting Bracket
4	294-115-009	Transfer Roller Mount – Buffer Side
5	B-0077	Swivel End Bearing
6	294-115-407	Roller Shaft Support Arm Assembly
7	294-115-013	Roller Assembly
8	294-115-004	Transfer Roller Shaft
9	294-115-002	Transfer Roller Gear – Small
10	294-115-003	Transfer Roller Gear – Large
11	SA-1023R	Right Roller Support Assembly
12	SA-1023L	Left Roller Support Assembly
13	294-115-139	Belt Tensioner Assembly
14	SA-6002	Buffer Drive Assembly
15	810-349-200	Screw, Socket Head, ¼-20 x 1-1/4, Patch, Black
16	A-0575	Shim
17	A-0464	Positive Stop Nut
18	294-115-611	Transfer Roller Chain
19	A-0951	Sprocket
20	294-115-158	Pivot Mounting Link – Left
21	294-115-086	Pivot Mounting Link – Right
22	294-115-157	Upper Stiffener Bracket (Rod)
23	A-0463	Positive Stop Screw
24	01-016	Washer, #8, External Tooth, Locking
25	A-0583	Transfer Roller Spring

	NUMBER	DESCRIPTION
26	01-054	Washer, ¼, Split
27	809-849-165	Screw, Hex, ¼-20 x 1, Gr 8, Black
28	951-068-002	Washer, 7/16, Split
29	809-869-205	Screw, Hex, 7/16-14 x 1-1/4
30	835-549-002	Nut, Hex, ¼-20, Jam
31	919-010-400	Retaining Ring, E-Style
32	294-115-154	Clevis Pin, 3/8, SS
33	964-572-000	Thrust Washer
34	828-133-082	Screw, Round Head, 8-32 x ½
35	01-349	Shoulder Bolt, ¼ x 3/8, Black
36	294-115-088	L-Link
37	01-019	Screw, Pan Head, 10-32 x 3/8
38	01-033	Washer, #10, External Tooth, Locking
39	294-115-711	Buffer Spring
40	948-753-102	Washer, ¼, Flat, Black
41	294-115-245	Decal, Hand Entanglement Hazard, Chain (not shown)
42	880-239-140	Shoulder Bolt, 1/4 x ½, Black
43	294-115-246	Decal, Hand Entanglement Hazard, Belt (not shown)
44	809-849-205	Screw, Hex, ¼-20 x 1-1/4, Gr 8, Black
45	01-098	Set Screw, Hex, 10-32 x 3/8
46	808-849-160	Screw, Flat Head, ¼-20 x 1, Black
47	01-608	Screw, Hex Socket Button Head, 10-32 x 5/8
48	294-115-725	Transfer Roller Motor Assembly, 110-Volt
48A	294-115-726	Transfer Roller Motor Assembly, 220-Volt
49	A-0079	Buffer Spider