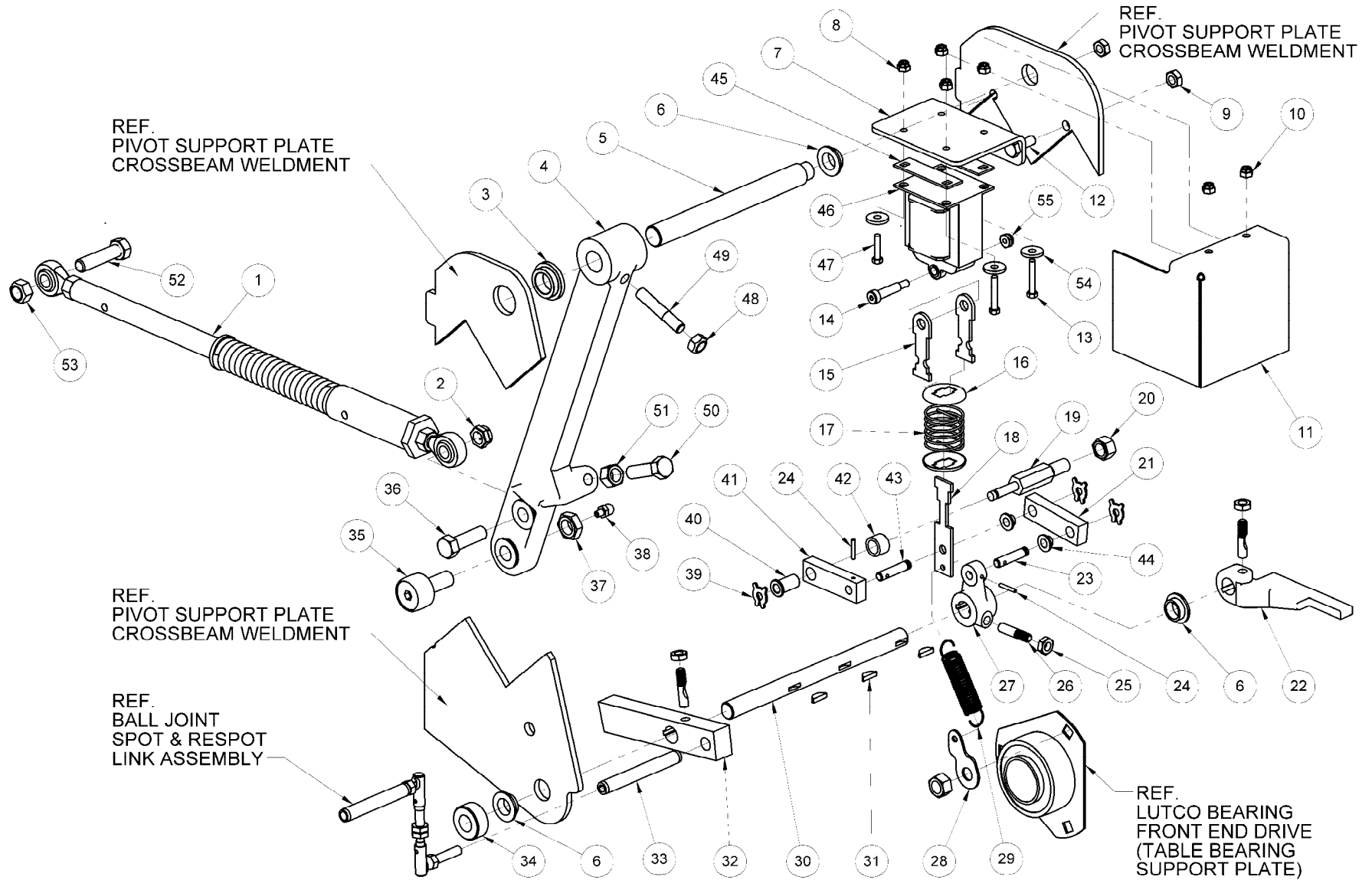


SOLENOID & SHUTTLE OPERATING ASSEMBLY





SOLENOID & SHUTTLE OPERATING ASSEMBLY

ITEM	QTY	PART #	DESCRIPTION	ITEM	QTY	PART #	DESCRIPTION
1	1	090-005-263	SHUTTLE CONNECTING ROD	29	1	070-006-283	SHUTTLE DRIVE LINK SPRING
2	1	840-065-002	NUT, FLEX LOCK, 3/8 - 16	30	1	090-005-017	SOLENOID PIVOT SHAFT
3	1	900-210-251	FLANGED BEARING	31	3	907-000-200	KEY
4	1	070-006-295	SHUTTLE OPERATING ROD LEVER	32	1	070-006-456	STOP LEVER
5	1	090-004-017	RESPOT LEVER SHAFT	33	1	913-464-480	SPRING PIN, 3/8 X 3
6	3	900-208-041	FLANGED BEARING, .503 X .753 X 5/16	34	1	901-100-110	SET COLLAR
7	1	090-005-018	SOLENOID BRACKET	35	1	070-006-728	CAM FOLLOWER
8	4	839-533-002	NUT, NYLON LOCK, 8 - 32	36	1	809-865-205	SCREW, HEX, 3/8 - 16 X 1-1/4
9	2	844-049-002	NUT, STOVER LOCK, 1/4 - 20	37	1	835-570-002	NUT, HEX JAM, 7/16 - 20
10	2	843-133-002	NUT, HEX LOCK, 8 - 32	38	1	710-501-012	GREASE FITTING
11	1	090-005-029	SOLENOID GUARD	39	3	963-200-002	X - WASHER
12	2	809-849-125	SCREW, HEX, 1/4 - 20 X 3/4	40	1	900-204-121	FLANGED BEARING, .25 X .378 X 3/4
13	2	813-933-162	SCREW, HEX, 8 - 32 X 1	41	1	070-008-134	LINK ASSEMBLY
14	1	880-139-200	SHOULDER BOLT, 1/4 X 7/8, BLACK	42	1	070-008-133	LINK ASSEMBLY SPACER
15	2	070-006-724	LINK, SHUTTLE SPRING	43	1	070-006-287	PIN, LONG
16	2	070-006-277	SPRING WASHER	44	2	070-002-653	FLANGED BEARING, .252 X .315 X .33
17	1	070-006-276	SHUTTLE DRIVE SPRING	45	2	090-003-459	DAMPER BASE
18	1	070-006-282	LINK, SPOTTING SOLENOID	46	1	090-005-723	SOLENOID, 50/60 HZ, 230V
19	1	090-005-028	SOLENOID PIVOT STUD	47	2	814-333-122	SCREW, HEX, 8 - 32 X 3/4
20	1	839-665-002	NUT, FLEX LOCK, 3/8 - 16	48	1	844-057-002	NUT, HEX, 5/16 - 18
21	1	070-008-132	LINK ASSEMBLY	49	1	070-006-284	CLAMP STUD 5/16 X 1-3/4
22	1	070-006-278	CAM LINK	50	1	809-865-205	SCREW, HEX, 3/8 - 16 X 1
23	1	070-001-777	LINK PIN	51	1	835-566-002	NUT, HEX JAM, 3/8 - 16
24	2	913-415-100	SPRING PIN, 3/32 X 5/8	52	1	809-865-245	SCREW, HEX, 3/8 - 16 X 1 1/2
25	3	835-549-002	NUT, HEX JAM, 1/4 - 20	53	1	844-065-002	NUT, STOVER LOCK, 3/8 - 16
26	3	070-006-116	CLAMP STUD, 1/4 X 1-1/8	54	4	948-637-072	WASHER, FLAT, 3/16 X 7/16 X 3/64
27	1	070-006-292	LINK	55	1	840-039-002	NUT, FLEX LOC, 10-24, THIN
28	1	070-006-280	SPRING CLIP				