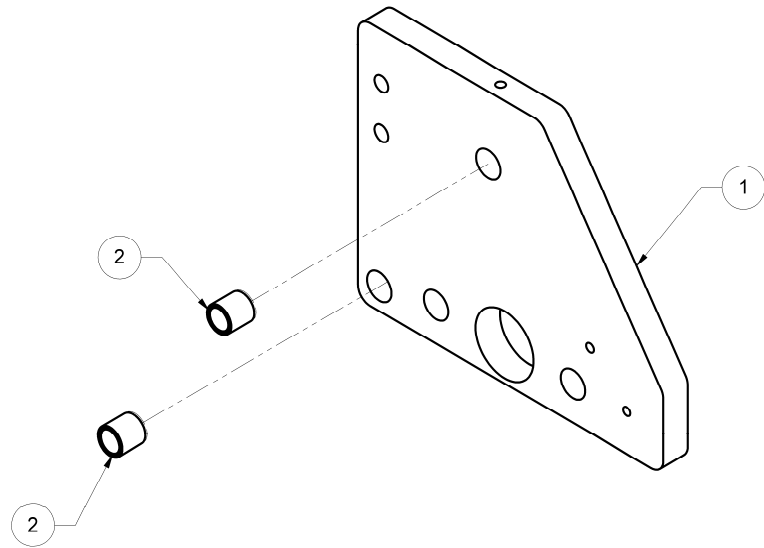


294-115-014 Buffer Side Plate Assembly

| | NUMBER | DESCRIPTION |
|---|-------------|------------------------------|
| 1 | 294-115-010 | Buffer Brush Side Plate |
| 2 | 294-115-015 | Bushing: .5 OD X .38 ID X .5 |



Buffer Solenoid & Bracket Assembly – Right Side

| | NUMBER | DESCRIPTION |
|----|-------------|---|
| 1 | 294-115-241 | Buffer Solenoid Bracket Assembly – Right |
| 2 | 294-002-033 | Solenoid, 3000 Series, 110-Volt, LH Terminals |
| 2A | 294-002-274 | Solenoid, 3000 Series, 240-Volt, LH Terminals |
| 3 | 809-849-085 | Screw, Hex, 1/4-20 x 1/2, Gr 8, Black |
| 4 | 951-148-008 | Washer, 1/4, Split, Black |
| 5 | 294-115-236 | Hazard Sticker, Electric Shock Hazard |
| 6 | 294-115-237 | Hazard Sticker, Hand Crush Hazard |
| 7 | 294-115-238 | Hazard Sticker, Hot Surface Hazard |
| 8 | 294-115-256 | Earth (Ground) Sticker |
| 9 | 01-038 | Clevis Pin, 3/16 x 1-1/2 |
| 10 | 01-080 | Cotter Pin, 1/16 x 1/2 |
| 11 | 01-033 | Washer, #10, External Tooth Locking |
| 12 | 835-540-002 | Nut, Hex, 10-32 |

