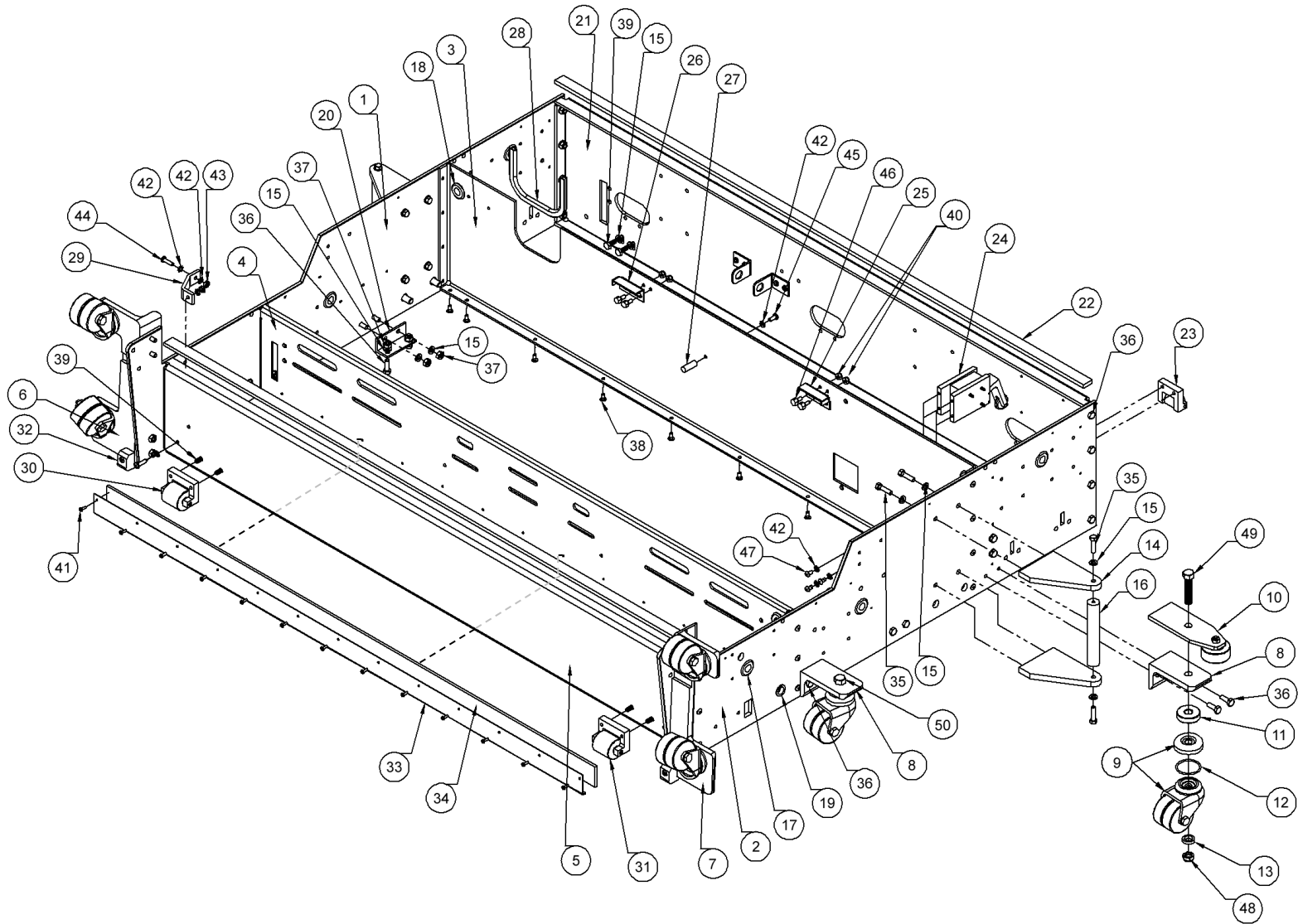


FRAME ASSEMBLY



FRAME ASSEMBLY

PART NO.	DESCRIPTION
1	294-002-426 LEFT SIDE PLATE
2	294-002-427 RIGHT SIDE PLATE
3	294-002-430 FRONT ELECTRICAL FIREWALL
4	294-002-431 REAR ELECTRICAL FIREWALL
5	294-002-429 REAR PLATE
6	294-002-447 DOUBLE CASTER BRACKET LEFT
7	294-002-446 DOUBLE CASTER BRACKET RIGHT
8	294-002-445 CASTER BRACKET
9	04-292 DOUBLE CASTER W/ DUST CUP
10	294-002-419* CENTERING GUIDE PLATE ASSY
11	A-0919 CASTER SPACER - THICK
12	04-332 O-RING 1 3/8 ID X 3/32 WALL
13	A-0794 CASTER SPACER
14	294-002-458 HANDLE MOUNT
15	01-054 WASHER, 1/4, SPLIT, ZINC
16	A-0148 END HANDLE
17	711-504-047 GROMMET, 1/4 THICK X 1/2 ID
18	711-504-046 GROMMET, 1/8 THICK X 1/2 ID
19	A-5547 BEARING STUD BUSHING
20	A-0588 FRAME BRACKET
21	294-002-424 FRONT PLATE ASSM
22	04-074 AIRTEX FOAM TAPE 1/4 X 3/4 X 43
23	SA-3012 DUSTER END PLATE ROLLER
24	294-002-136* TRIP ARM ASSEMBLY
25	A-0342 WASTE TANK LOCK - RIGHT

PART NO.	DESCRIPTION
26	A-0343 WASTE TANK LOCK - LEFT
27	A-0341 TANK SUPORT
28	04-069 EDGE TRIM
29	294-002-085 OIL COMPARTMENT BRACKET
30	294-002-528 IDLER WHEEL ASSEMBLY, LEFT
31	294-002-527 IDLER WHEEL ASSEMBLY, RIGHT
32	A-0586 PIVOT CASTER BLOCK
33	B-0505 REAR ELECTRICAL FIREWALL FELT RETAINER
34	A-0031 OIL DRIP FELT
35	01-048 SCREW, 1/4-20 X 1, HEX HEAD, ZINC
36	01-046 SCREW, 1/4-20 X 3/4, HEX HEAD, ZINC
37	01-052 NUT, 1/4-20, HEX, ZINC
38	01-122 POP RIVET, 3/16 DIAMETER X 3/8 LONG, STEEL
39	01-044 SCREW, 1/4-20 X 5/8, HEX HEAD
40	01-031 NUT, #10-32, HEX, NYLON LOCK, ZINC
41	01-130 RIVET, 1/8 X 1/2 LONG, ALUMINUM
42	01-033 WASHER, #10, EXT TOOTH LOCK, ZINC
43	01-032 NUT, #10-32, HEX, ZINC
44	01-023 SCREW, #10-32 X 3/4, PHIL, PAN HD, ZINC
45	01-021 SCREW, #10-32 X 1/2, PHIL, PAN HD, ZINC
46	A-0659 TANK LOCK SHOULDER BOLT
47	01-197 SCREW, #10-32 X 3/8LG, HEX SOCKET BUTTON HEAD
48	01-159 NUT, 7/16-20, NYLON LOCK, THIN
49	809-068-327 SCREW, 7/16-20 X 2 HEX CAP SCREW, ZINC
50	01-385 SCREW, 7/16 X 1 3/4 HEX HEAD BOLT, PLATED

* For more information, refer to the individual part drawing.