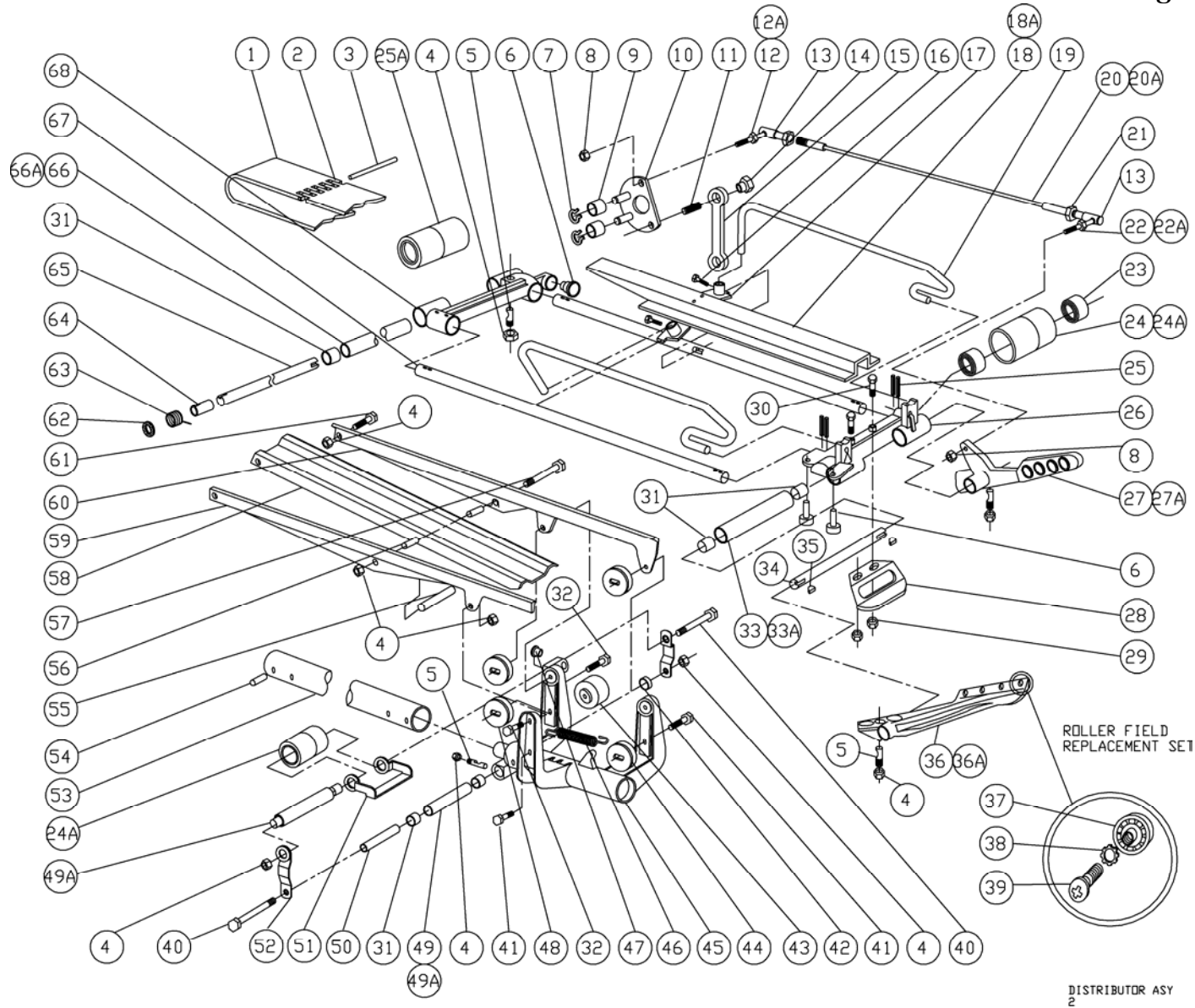


DISTRIBUTOR ASSEMBLY 2

SECTION 5.0

Drawings and Parts Lists

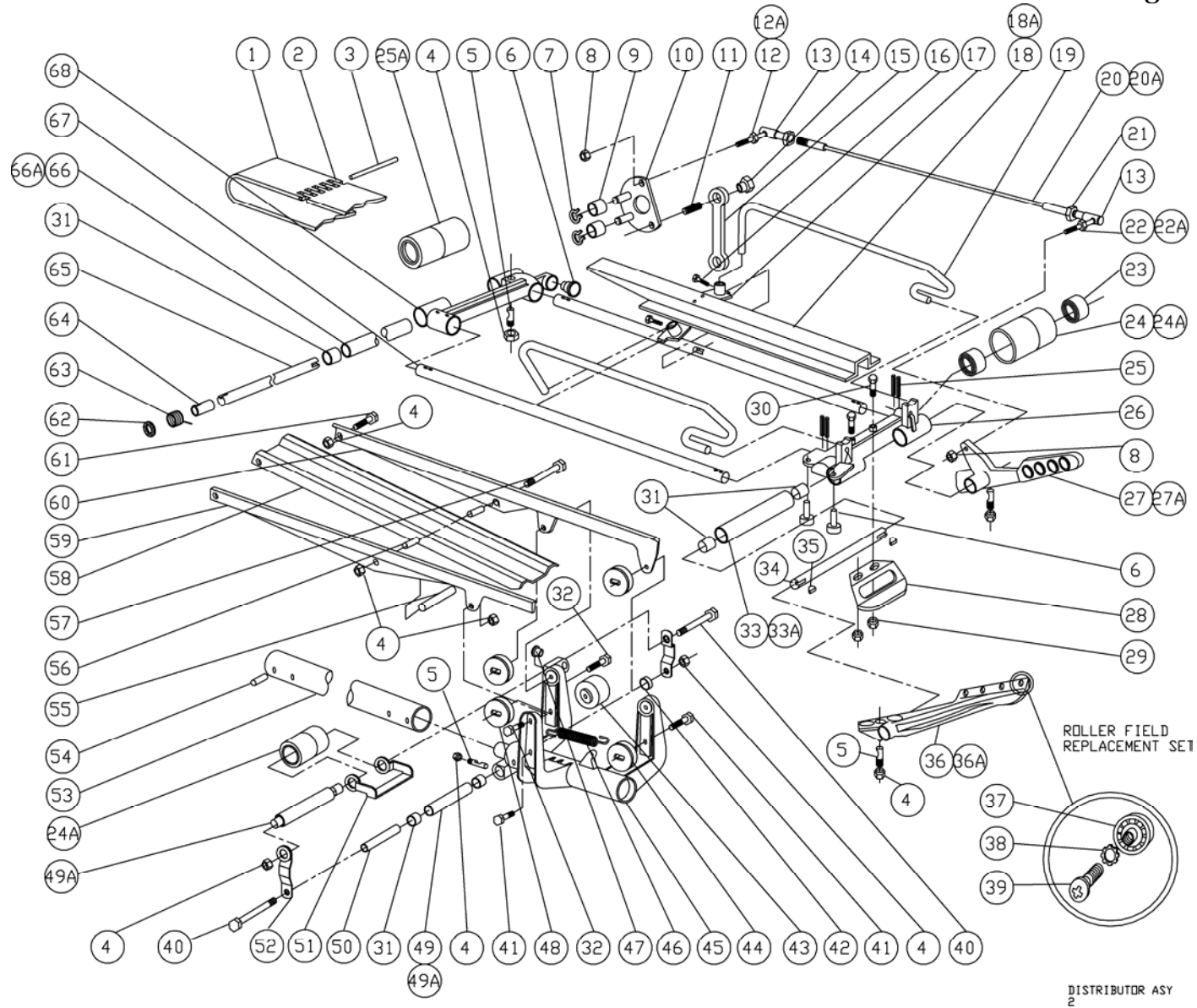




DISTRIBUTOR ASSEMBLY 2

QubicaAMF 90XLi PINSPOTTER

ITEM	QTY	PART #	DESCRIPTION	ITEM	QTY	PART #	DESCRIPTION
1	1	see 1A	BELT	23	6	000-024-679	BEARING
1A	1	070-006-757	BELT ASSEMBLY (includes items 1, 2, & 3)	24	3	see 24A	IDLER CARRIAGE PULLEY
2	2	070-006-036	BELT LACING	24A	3	070-006-011	PULLEY ASSEMBLY (includes 23 & 24)
3	1	070-006-037	BELT PIN	25	8	913-437-140	SPRING PIN, .187 X 7/8
4	17	844-049-002	NUT, STOVER LOCK, 1/4 - 20	26	1	070-006-055	CARRIAGE, FRONT
5	5	070-006-116	CLAMP STUD	27	1	see 27A	TRIP ARM, R.H.
6	3	070-006-142	BUMPER	27A	1	070-006-015	TRIP ARM ASSY (R.H.) (#27 & factory rollers)
7	2	919-005-600	RETAINING RING	28	1	070-006-137	BELT GUARD
8	1	840-040-002	NUT, FLEX LOCK, THIN, 10 - 32	29	2	840-039-002	NUT, FLEX LOCK, 10 - 24
9	2	070-001-857	NYLON ROLLER	30	2	810-239-160	SCREW, SOCKET HEAD CAP, 10-24 X 1
10	1	070-006-661	TRIP ROCKER ARM WELDMENT	31	8	900-106-081	SLEEVE BEARING, .378 X 1/2
11	1	807-249-160	SETSCREW, SOCKET HEAD, 1/4 - 20 X 1	32	5	809-849-125	SCREW, HEX, 1/4 - 20 X 3/4
12	1	090-004-110	BALL HEAD STUD	33	1	see 33A	TUBE
12A	1	070-011-172	BALL JOINT ASSEMBLY (includes 12 & 13)	33A	1	070-006-021	TUBE ASSEMBLY, FRONT (includes 31 & 33)
13	2	090-004-112	SHELL & CLIP ASSEMBLY	34	1	070-006-014	SHAFT
14	1	000-022-173	NUT, SPECIAL	35	2	907-000-100	KEY
15	1	070-006-029	CONNECTING LINK	36	1	see 36A	TRIP ARM, L.H.
16	2	806-249-060	SETSCREW, SQUARE HEAD, 1/4-20 X 3/8	36A	1	070-006-016	TRIP ARM ASSY (L.H.) (#36 & factory rollers)
17	1	070-006-007	SUPPORT WELDMENT	37	10	000-026-251	ROLLER BEARING, THREADED (field replacement)
18	1	see 18A	BELT RUNNER, FRONT	38	10	957-100-002	WASHER, EXTERNAL LOCK, # 10
18A	1	070-006-009	BELT RUNNER SUPPORT ASSY (incl. 17 & 18)	39	10	813-540-082	SCREW, TRUSS HEAD, 10 - 32 X 1/2
19	2	070-006-013	PIN GUIDE	40	2	809-849-605	SCREW, HEX, 1/4 - 20 X 3/4
20	1	070-011-171	CABLE	41	6	809-849-165	SCREW, HEX, 1/4 - 20 X 1
20A	1	070-011-170	DISTRIBUTOR CABLE ASSEMBLY, (incl. 12, 13, 19, 21, & 22)	42	1	070-006-111	SPRING POST SLEEVE
21	2	835-550-002	NUT, HEX JAM, 1/4 - 28	43	1	701-849-124	BALL BEARING, 1/4 - 20 THREADED BORE
22	1	090-004-111	BALL HEAD STUD	44	3	070-006-118	BEARING, GROOVED, ECCENTRIC
22A	1	070-011-173	BALL JOINT ASSEMBLY (includes 13 & 22)				





DISTRIBUTOR ASSEMBLY 2 - continued

QubicaAMF 90XLi PINSPOTTER

ITEM	QTY	PART #	DESCRIPTION	ITEM	QTY	PART #	DESCRIPTION
45	1	see 45A	CARRIAGE SUPPORT CASTING				
45A	1	070-006-688	CARRIAGE SUPPORT ASSY (incl: 45 & 47)				
46	1	000-026-031	BELT TIGHTENER SPRING				
47	1	701-710-098	BEARING, UNIBALL				
48	1	070-006-117	BEARING, GROOVED, CONCENTRIC				
49	2	070-006-107	BELT TIGHTENER TUBE				
49A	2	070-006-105	TUBE ASSEMBLY (includes 31, 49 & 50)				
50	2	070-006-108	SPACER				
51	1	070-006-106	TRACKING BRACKET				
52	2	070-006-109	ROLLER ASSEMBLY LINK				
53	1	070-006-120	CARRIAGE SUPPORT TUBE				
54	4	913-464-280	SPRING PIN, 3/8 X 1 1/4				
55	1	070-006-139	INNER SPACER				
56	2	070-006-140	OUTER SPACER				
57	1	809-849-885	SCREW, HEX, 1/4 - 20 X 5 1/2				
58	1	070-006-042	BELT RUNNER, REAR				
59	1	070-006-103	SUPPORT GUIDE, L.H.				
60	1	070-006-104	SUPPORT GUIDE R.H.				
61	2	808-549-200	SCREW, BUTTON HEAD, 1/4 - 20 X 1-1/4				
62	1	919-006-800	RETAINING RING				
63	1	070-006-035	SPRING				
64	1	070-006-019	SPRING COLLAR				
65	1	070-006-659	SHAFT				
66	1	see 66A	TUBE, MIDDLE				
66A	1	070-006-683	TUBE ASSEMBLY, MIDDLE (incl: 31 & 66)				
67	2	070-006-004	TUBE				
68	1	070-006-672	CARRIAGE CASTING, REAR				