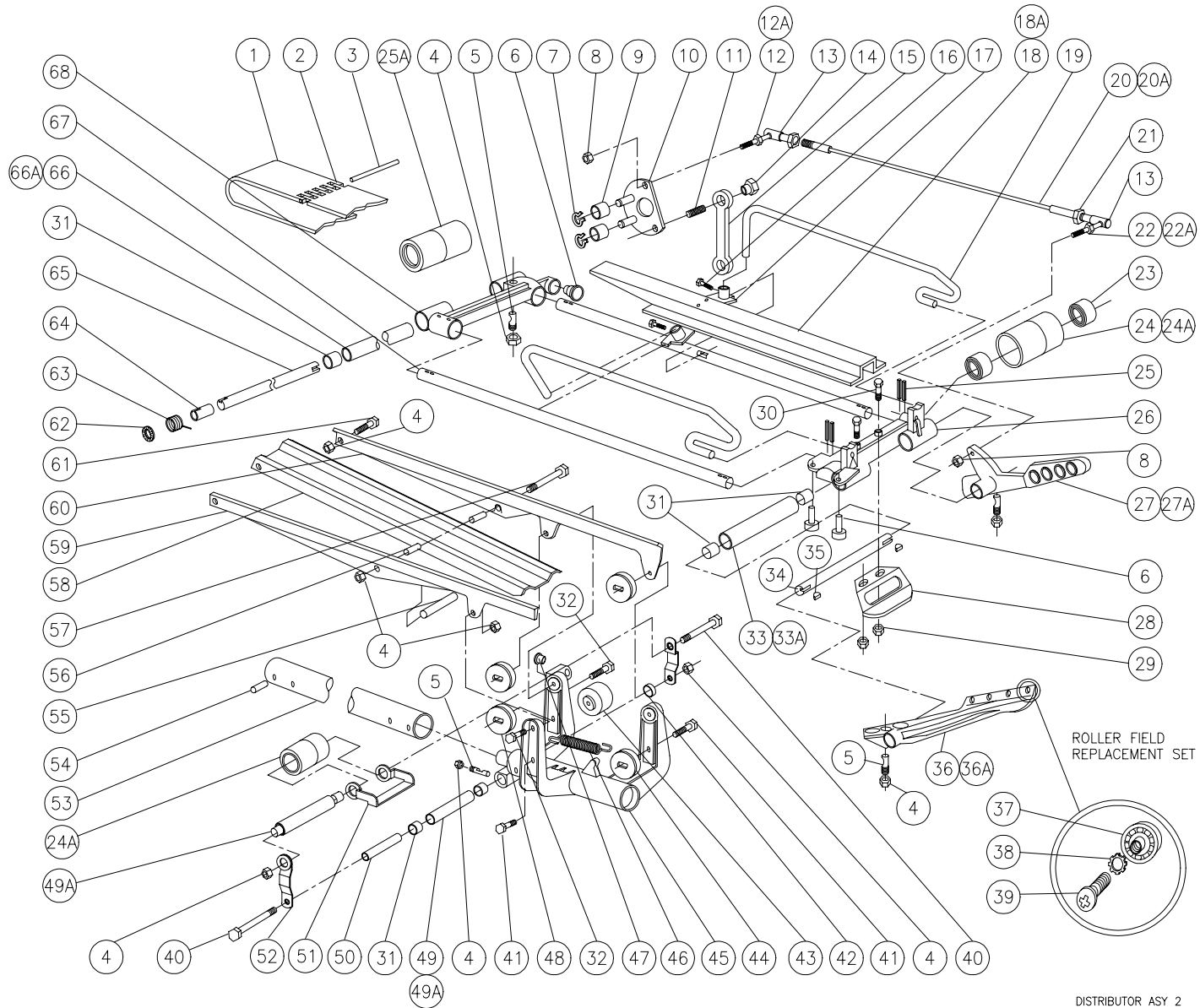


DISTRIBUTOR ASSEMBLY 2



DISTRIBUTOR ASY 2

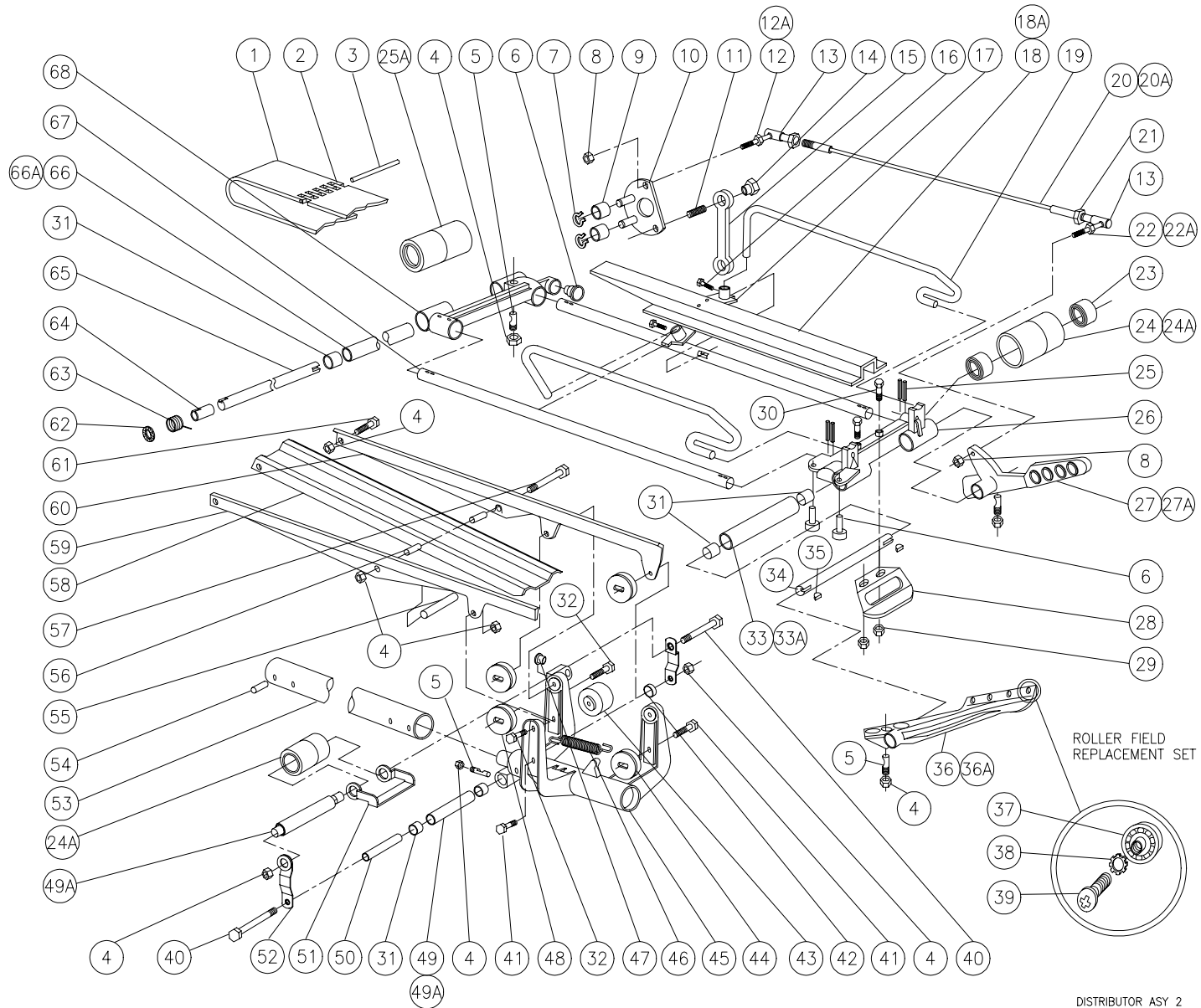


DISTRIBUTOR ASSEMBLY 2

ITEM	QTY	PART #	DESCRIPTION
1	1	702-508-025	BELT
2	2	070-006-036	BELT LACING
3	1	070-006-037	BELT PIN
4	17	844-049-002	NUT, STOVER LOCK, ¼ - 20
5	5	070-006-116	CLAMP STUD
6	3	070-006-142	BUMPER
7	2	919-005-600	RETAINING RING
8	1	840-040-002	NUT, FLEX LOCK, THIN, 10 - 32
9	2	070-001-857	NYLON ROLLER
10	1	070-006-661	TRIP ROCKER ARM WELDMENT
11	1	807-249-160	SETSCREW, SOCKET HEAD, ¼ - 20 X 1
12	1	090-004-110	BALL HEAD STUD
12A	1	070-011-172	BALL JOINT ASSEMBLY (includes 12 & 13)
13	2	090-004-112	SHELL & CLIP ASSEMBLY
14	1	000-022-173	NUT, SPECIAL
15	1	070-006-029	CONNECTING LINK
16	2	806-249-060	SETSCREW, SQUARE HEAD, ¼-20 X 3/8
17	1	070-006-007	SUPPORT WELDMENT
18	1	070-006-008	BELT RUNNER, FRONT
18A	1	070-006-009	BELT RUNNER SUPPORT ASSY (incl. 17 & 18)
19	2	070-006-013	PIN GUIDE
20	1	070-011-171	CABLE
20A	1	070-011-170	DISTRIBUTOR CABLE ASSEMBLY, (incl. 12, 13, 19, 21, & 22)
21	2	835-550-002	NUT, HEX JAM, ¼ - 28
22	1	090-004-111	BALL HEAD STUD
22A	1	070-011-173	BALL JOINT ASSEMBLY (includes 13 & 22)

ITEM	QTY	PART #	DESCRIPTION
23	6	000-024-679	BEARING
24	3	070-006-010	IDLER CARRIAGE PULLEY
24A	3	070-006-011	PULLEY ASSEMBLY (includes 23 & 24)
25	8	913-437-140	SPRING PIN, .187 X 7/8
26	1	070-006-055	CARRIAGE, FRONT
27	1	070-006-057	TRIP ARM, R.H.
27A	1	070-006-015	TRIP ARM ASSY (R.H.) (#27 & factory rollers)
28	1	070-006-137	BELT GUARD
29	2	840-039-002	NUT, FLEX LOCK, 10 - 24
30	2	810-239-160	SCREW, SOCKET HEAD CAP, 10-24 X 1
31	8	900-106-081	SLEEVE BEARING, .378 X 1/2
32	5	809-849-125	SCREW, HEX, ¼ - 20 X ¾
33	1	070-006-023	TUBE
33A	1	070-006-021	TUBE ASSEMBLY, FRONT (includes 31 & 33)
34	1	070-006-014	SHAFT
35	2	907-000-100	KEY
36	1	070-006-056	TRIP ARM, L.H.
36A	1	070-006-016	TRIP ARM ASSY (L.H.) (#36 & factory rollers)
37	10	000-026-251	ROLLER BEARING, THREADED (field replacement)
38	10	957-100-002	WASHER, EXTERNAL LOCK, # 10
39	10	813-540-082	SCREW, TRUSS HEAD, 10 - 32 X ½
40	2	809-849-605	SCREW, HEX, ¼ - 20 X 3¾
41	6	809-849-165	SCREW, HEX, ¼ - 20 X 1
42	1	070-006-111	SPRING POST SLEEVE
43	1	701-849-124	BALL BEARING, ¼ - 20 THREADED BORE
44	3	070-006-118	BEARING, GROOVED, ECCENTRIC

DISTRIBUTOR ASSEMBLY 2 - continued



DISTRIBUTOR ASY 2



DISTRIBUTOR ASSEMBLY 2 - continued

ITEM	QTY	PART #	DESCRIPTION
45	1	070-006-687	CARRIAGE SUPPORT CASTING
46	1	000-026-031	BELT TIGHTENER SPRING
47	1	701-710-098	BEARING, UNIBALL
48	1	070-006-117	BEARING, GROOVED, CONCENTRIC
49	2	070-006-107	BELT TIGHTENER TUBE
49A	2	070-006-105	TUBE ASSEMBLY (includes 31, 49 & 50)
50	2	070-006-108	SPACER
51	1	070-006-106	TRACKING BRACKET
52	2	070-006-109	ROLLER ASSEMBLY LINK
53	1	070-006-120	CARRIAGE SUPPORT TUBE
54	4	913-464-280	SPRING PIN, 3/8 X 1 3/4
55	1	070-006-139	INNER SPACER
56	2	070-006-140	OUTER SPACER
57	1	809-849-885	SCREW, HEX, 1/4 - 20 X 5 1/2
58	1	070-006-042	BELT RUNNER, REAR
59	1	070-006-103	SUPPORT GUIDE, L.H.
60	1	070-006-104	SUPPORT GUIDE R.H.
61	2	808-549-200	SCREW, BUTTON HEAD, 1/4 - 20 X 1-1/4
62	1	919-006-800	RETAINING RING
63	1	070-006-035	SPRING
64	1	070-006-019	SPRING COLLAR
65	1	070-006-659	SHAFT
66	1	070-006-671	TUBE, MIDDLE
66A	1	070-006-683	TUBE ASSEMBLY, MIDDLE (items 31 & 66)
67	2	070-006-004	TUBE
68	1	070-006-672	CARRIAGE CASTING, REAR

ITEM	QTY	PART #	DESCRIPTION
------	-----	--------	-------------