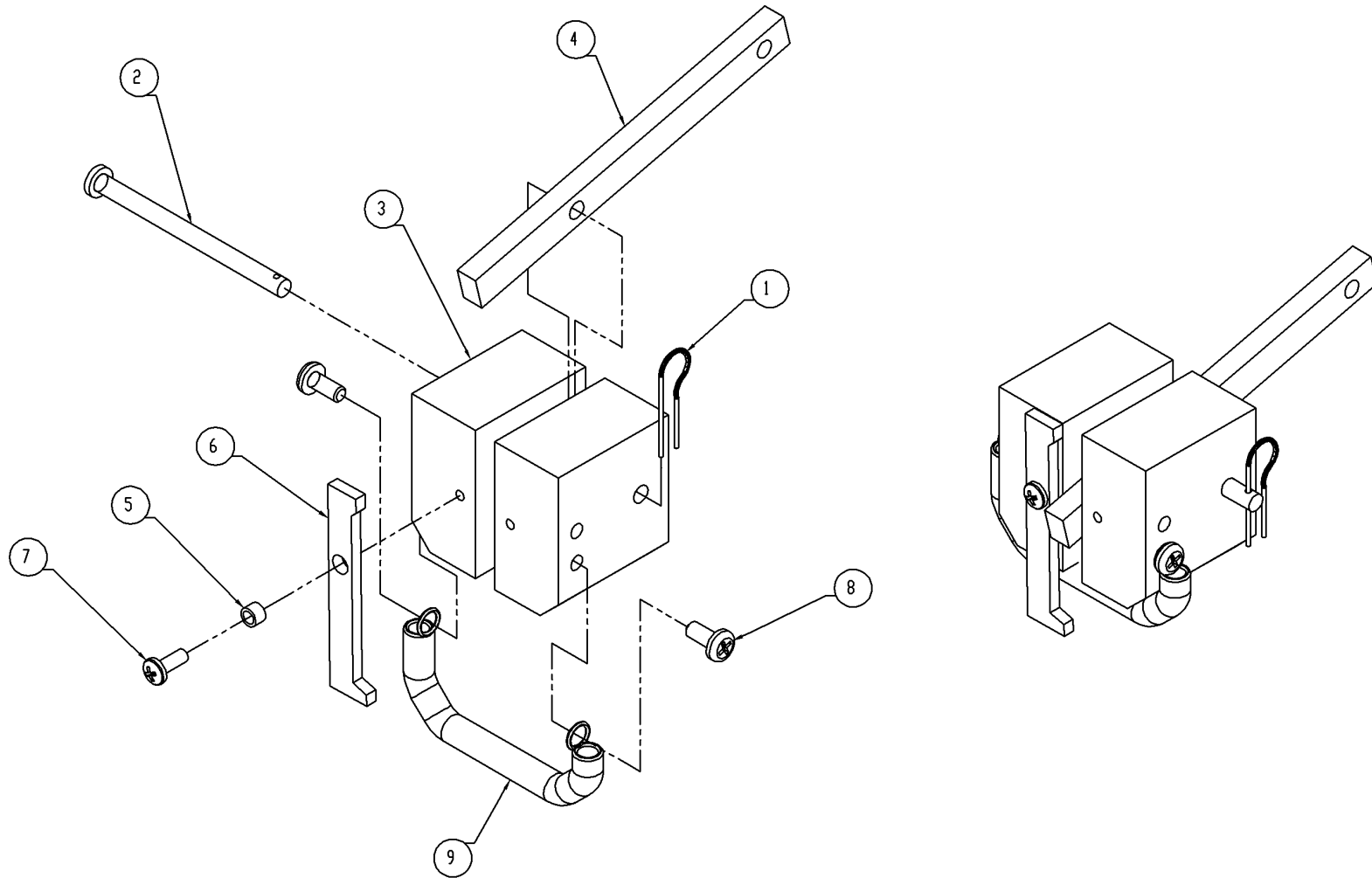


**294-002-481
CLEANER TRAY MOUNT ASSEMBLY, LEFT**



294-002-481**CLEANER TRAY MOUNT ASSEMBLY, LEFT**

	PART NO.	DESCRIPTION	QTY
1	01-040	PIN, 3/64 X 9/16, HAIR CLIP, ZINC	1
2	01-162	PIN, 3/16 X 2-1/2, CLEVIS	1
3	294-002-480	SLIDE BLOCK MOUNT, CLEANER TRAY	1
4	A-1056	CLEANER LINKAGE ARM	1
5	A-8284	TRAY LOCK PIVOT	1
6	A-8285	TRAY LOCK	1
7	01-186	SCREW, #6-32 X 3/8, PAN HEAD	1
8	01-019	SCREW, #10-32 X 3/8, PHIL, PAN HEAD, ZINC	2
9	A-0271	DUSTER SPRING	1