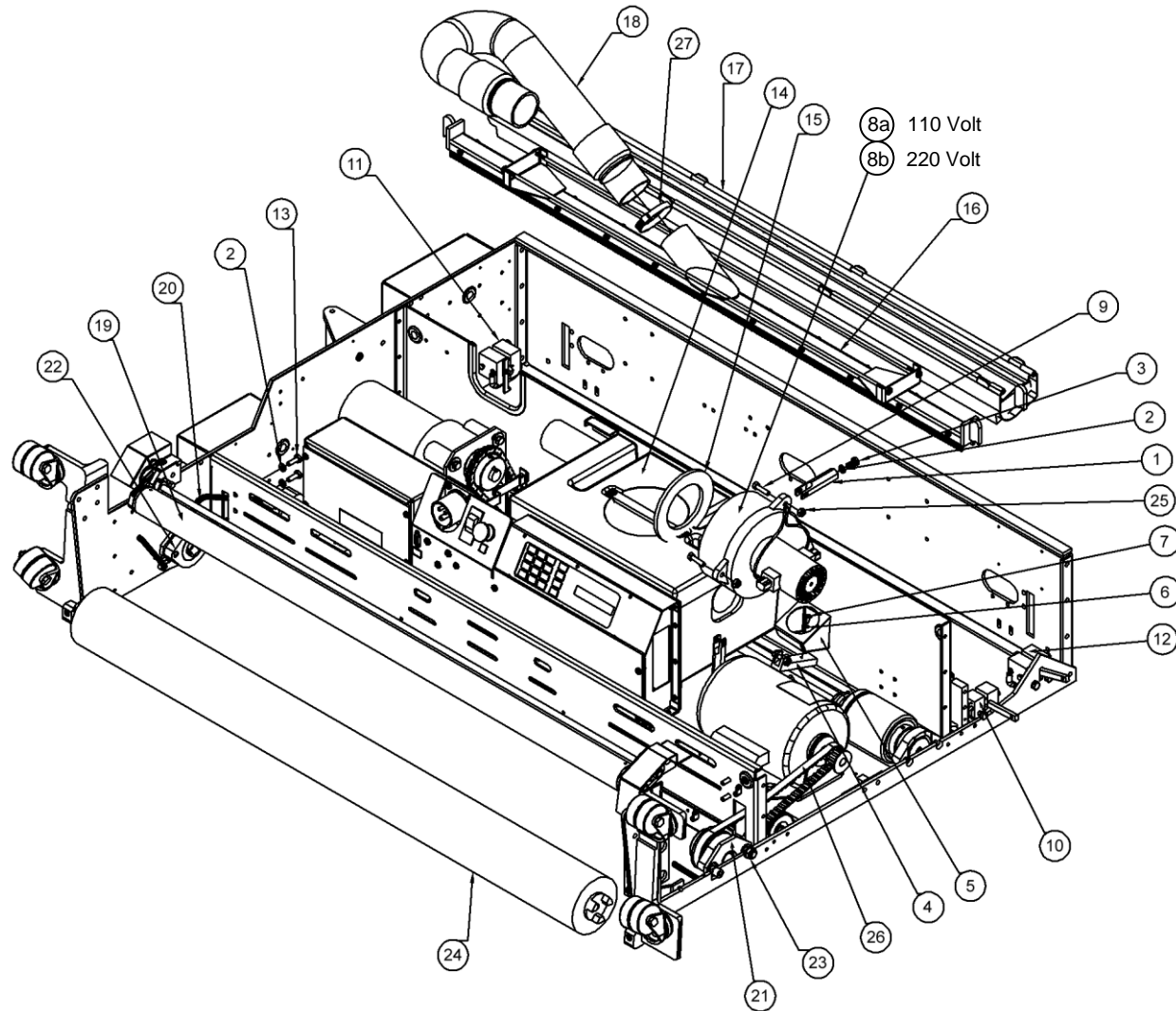


# BODY ASSEMBLY

BRUSH, CLEANER PAD, TRANSFER ROLLER, VACUUM HEAD, VACUUM MOTOR, WASTE TANK



## BODY ASSEMBLY

### BRUSH, CLEANER PAD, TRANSFER ROLLER, VACUUM HEAD, VACUUM MOTOR, WASTE TANK

	PART NO.	DESCRIPTION	QTY
1	A-0338	UPPER VAC MOTOR MOUNT	1
2	01-054	WASHER, 1/4, SPLIT, ZINC	14
3	01-044	SCREW, 1/4-20 X 5/8, HEX HEAD	2
4	A-0405	LOWER VAC MOTOR MOUNT	1
5	A-0406	VAC EXHAUST PLATE	1
6	01-016	WASHER, #8, EXT TOOTH LOCK, ZINC	1
7	01-009	SCREW, #8-32 X 3/8, PHIL, PAN HEAD, ZINC	1
8a	02-214	110V VACUUM MOTOR	1
8b	02-255	220V VACUUM MOTOR	1
9	01-048	SCREW, 1/4-20 X 1, HEX HEAD, ZINC	3
10	SA-0321	VAC-HEAD SLIDE BLOCK MOUNT ASSEMBLY	2
11	294-002-481	CLEANER TRAY MOUNT ASSY	1
12	294-002-482	CLEANER TRAY MOUNT ASSY, RIGHT	1
13	01-046	SCREW, 1/4-20 X 3/4, HEX HEAD, ZINC	12
14	SA-1129	WASTE TANK ASSEMBLY	1
15	A-8307	TANK SEAL	1
16	SA-9032	VAC-HEAD ASSEMBLY	1
17	SA-0256	CLEANER PAD ASSEMBLY	1
18	SA-1101	VACUUM HOSE ASSEMBLY	1
19	294-002-070	TRANSFER ROLLER DRIVE ASSEMBLY	1
20	A-0952	CHAIN #25 14-3/4 LENGTH	1
21	SA-1105	BUFFER DRIVE ASSEMBLY	1
22	SA-1106	BUFFER IDLER ASSEMBLY	1
23	01-159	NUT, 7/16-20, NYLON LOCK, THIN	2
24	SA-1182	BUFFER TUBE ASSEMBLY	1
25	01-051	NUT, 1/4-20, NYLON LOCK, ZINC	9
26	03-099	BUFFER DRIVE BELT	1
27	04-120	CLAMP, WASTE TANK HOSE	1