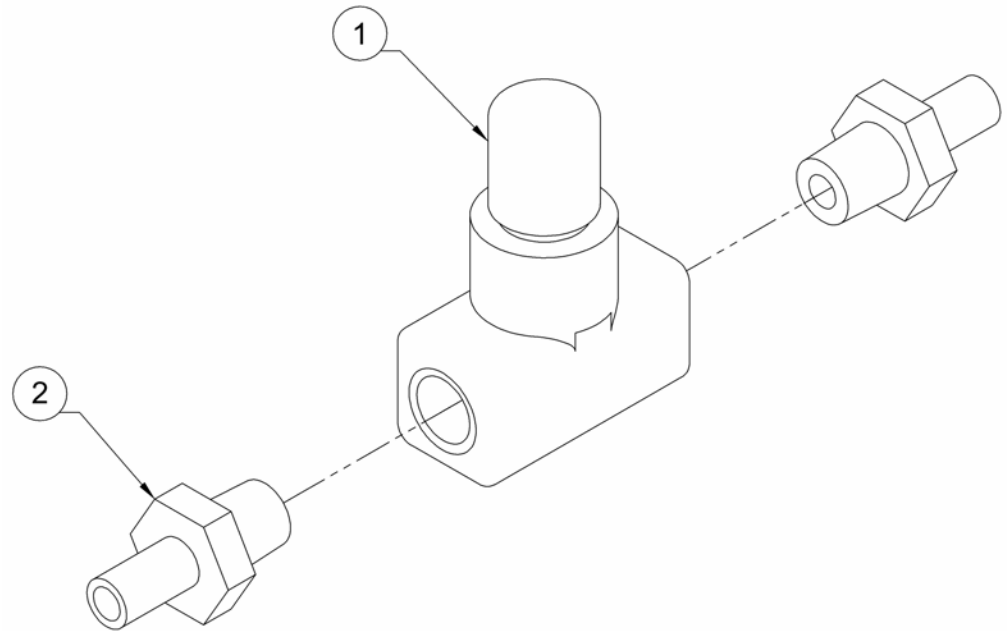


294-115-075 Flow Valve Assembly

	NUMBER	DESCRIPTION
1	04-112	Flow Control Valve
2	294-115-071	Stem Adapter, 1/4 NPT X 3/8



294-115-065 Nozzle Mount Assembly

	NUMBER	DESCRIPTION
1	294-115-066	Nozzle Body
2	294-115-064	Nozzle Body Mounting Block
3	294-115-071	Stem Adapter, 1/4 NPT X 3/8

