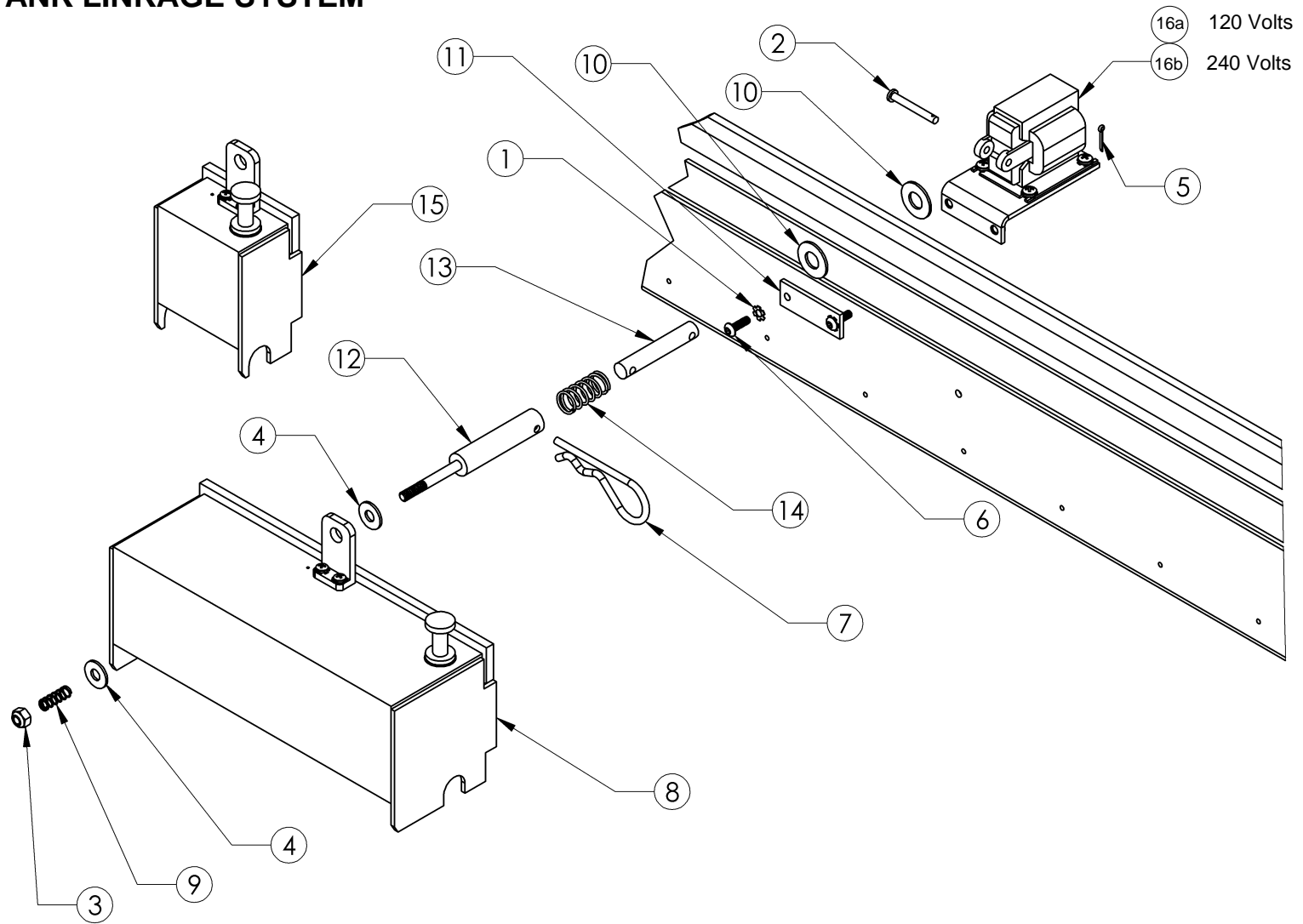


BODY ASSEMBLY OIL TANK LINKAGE SYSTEM



BODY ASSEMBLY OIL TANK LINKAGE SYSTEM

	PART NO.	DESCRIPTION	QTY
1	01-033	LOCK WASHER, #10 EXTERNAL TOOTH	2
2	01-038	CLEVIS PIN, 3/16 X 1 1/2	1
3	01-051	LOCK NUT, 1/4-20 NYLON INSERT	1
4	01-056	FLAT WASHER, 1/4 USS	2
5	01-080	COTTER PIN, 1/16 X 1/2	1
6	01-608	SCREW, 10-32 X 5/8, HEX SOCKET, BUTTON HEAD	2
7	294-001-007	HITCH PIN	1
8	294-002-020*	OIL TANK ASSEMBLY, 10", HIGH CAPACITY, HIGH OUTPUT	1
9	294-002-174	OIL TANK LINKAGE SPRING	1
10	A-0403	LINKAGE WASHER	2
11	A-0408	SOLENOID MOUNT STIFFENER	1
12	A-0603	TANK PULL ROD	1
13	A-0885	OIL SOLENOID LINKAGE	1
14	A-5038	OIL TANK RETURN SPRING	1
15	SA-0210*	OIL TANK ASSEMBLY	1
16a	SA-3039*	OIL SOLENOID ASSEMBLY, 120V	1
16b	SA-3051*	OIL SOLENOID ASSEMBLY, 240V	1

* For more information, refer to the individual part drawing.