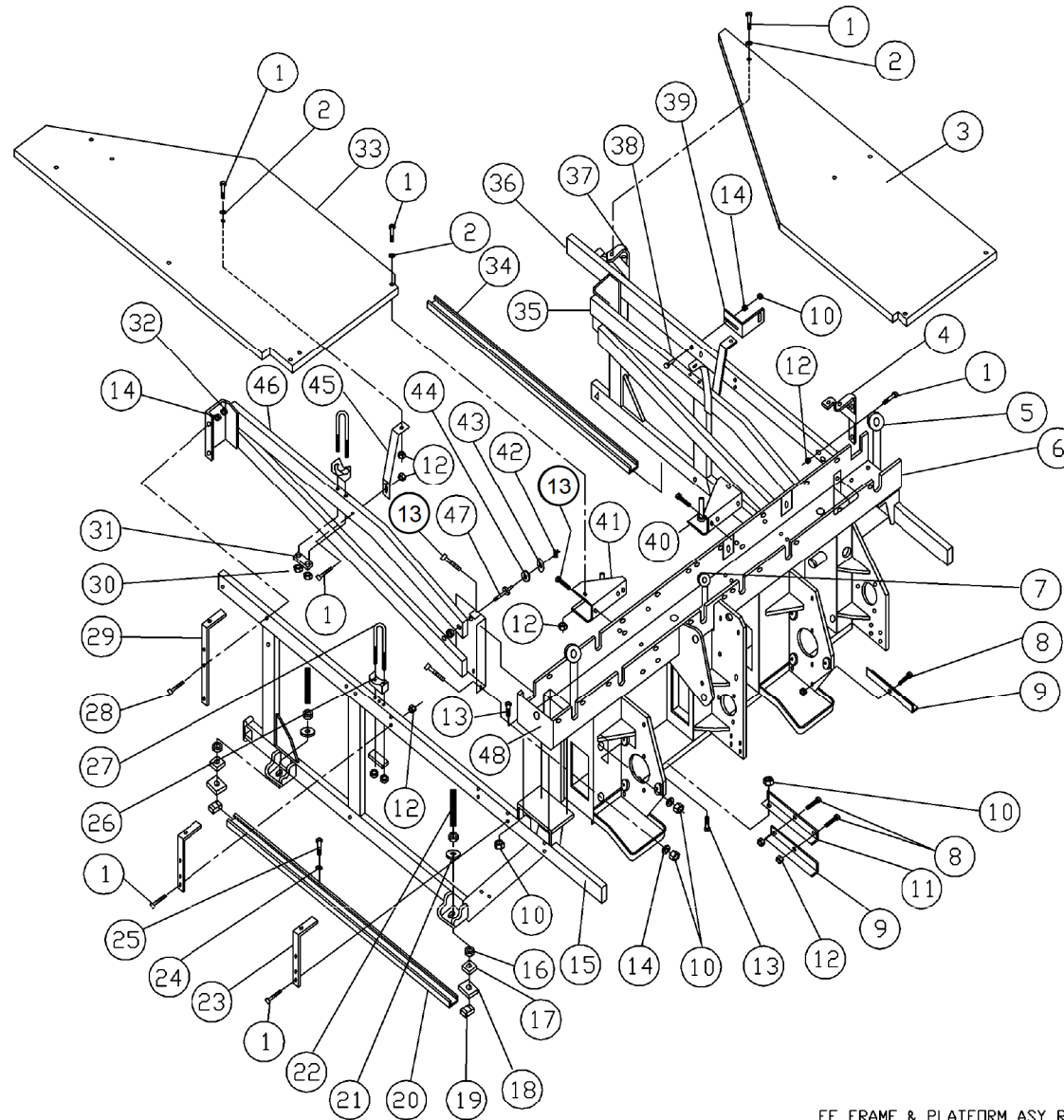


FRONT END FRAME & PLATFORM ASSEMBLY – ODD MACHINE



FE FRAME & PLATFORM ASY RH



FRONT END FRAME & PLATFORM ASSEMBLY – ODD MACHINE

ITEM	QTY	PART #	DESCRIPTION
1	20	809-849-285	SCREW, HEX, 1/4 -20 X 1-3/4
2	5	948-753-102	WASHER, FLAT, 5/8 X 9/32 X 1/16
3	1	070-006-425	PLATFORM, 10-PIN SIDE
4	1	070-001-819	PLATFORM SUPPORT WELDMENT
5	2	250-001-046	GROMMET, LARGE
6	1	088-500-200	CROSS BEAM WELDMENT, WIDE DUCT
7	8	711-520-017	GROMMET, SMALL
8	4	809-849-125	SCREW, HEX, 1/4 -20 X 3/4
9	2	070-001-698	PIT LIGHT BRACKET
10	24	839-665-002	NUT, HEX LOCK 3/8 -16
11	1	070-001-596	ANGLE BRACKET
12	14	844-049-002	NUT, STOVER LOCK, 1/4 -20
13	16	809-865-165	SCREW, HEX, 3/8 -16 X 1
14	25	948-767-132	WASHER, FLAT, 13/16 X 13/32 X 1/16
15	1	090-004-006	SIDE FRAME, 7-PIN SIDE
16	8	835-573-002	NUT, HEX JAM, 1/2 -13
17	4	070-007-509	ELEVATING NUT
18	4	000-021-786	FRAME ADJUSTMENT PLATE
19	4	853-500-001	UNISTRUT NUT
20	1	070-007-843	UNISTRUT, LONG
21	4	000-021-787	WASHER, 9/16 X 1-5/8 X 1/4, BLACK
22	4	070-007-510	ELEVATING SETSCREW
23	2	070-001-817	PLATFORM ANGLE WELDMENT
24	8	948-761-112	WASHER, FLAT, 11/16 X 11/32 X 1/16
25	8	810-556-320	SCREW, HEX LAG, 5/16 X 2
26	4	000-021-528	SADDLE

ITEM	QTY	PART #	DESCRIPTION
27	4	804-557-731	U-BOLT, SWEEP MOUNTING
28	4	809-865-325	SCREW, HEX, 3/8 -16 X 2
29	1	070-006-405	ANGLE WELDMENT
30	8	844-057-002	NUT, HEX LOCK, 5/16 -18
31	4	070-008-126	CLAMP BAR
32	1	840-065-002	NUT, FLEX LOCK, THIN, 3/8 - 16
33	1	070-006-426	PLATFORM, 7-PIN SIDE.
34	1	070-007-844	UNISTRUT, SHORT
35	1	090-005-647	INNER SIDE BRACE 10-PIN SIDE.
36	1	090-004-002	SIDE FRAME, 10-PIN SIDE.
37	1	070-006-414	PLATFORM SUPPORT BRACKET
38	4	809-865-285	SCREW, HEX, 3/8 -16 X 1-3/4
39	2	070-004-654	TRACK SUPPORT BRACKET
40	1	070-006-411	BRACKET WELDMENT (BIN ASSEMBLY, 10-PIN SIDE)
41	1	070-006-413	BRACKET WELDMENT (BIN ASSEMBLY, 7-PIN SIDE)
42	1	963-400-002	X-WASHER
43	1	945-867-242	WASHER, 13/32 X 1-1/2
44	4	090-003-795	COUNTERBALANCE SPRING ROLLER
45	3	070-006-490	PLATFORM SUPPORT BRACKET
46	1	090-005-646	INNER SIDE BRACE, 7-PIN SIDE
47	4	090-002-028	PIN SPRING ROLLER
48	1	090-005-034	END PLATE