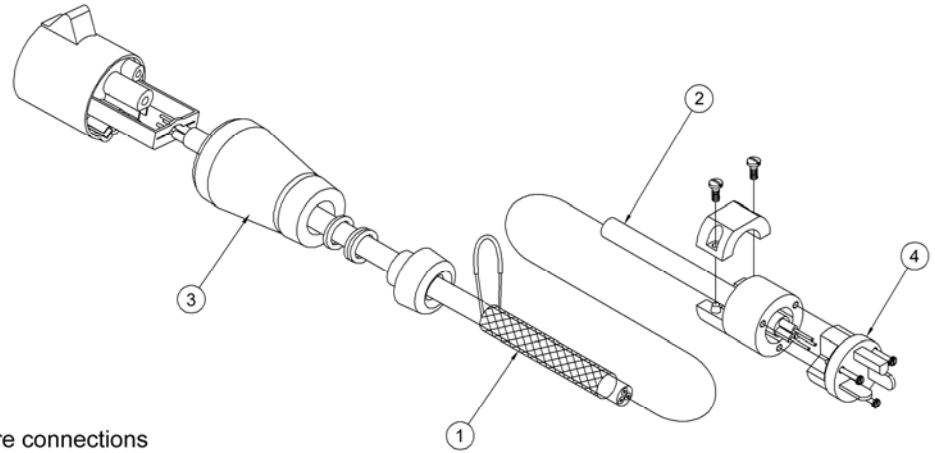
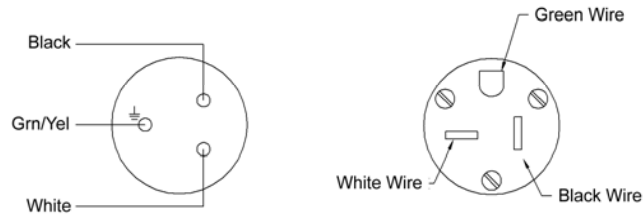


294-002-359 110V Power Cord Assembly

	NUMBER	DESCRIPTION
1	04-443	Support Grip, Single Eye, Single Weave
2	02-238	Wire, 12/3, Type SJTO
3	294-002-219	Connector Body
4	02-397	125V, 20A, Male Plug



Detail for wire connections



294-115-269 240V Power Cord Assembly

	NUMBER	DESCRIPTION
1	294-002-219	Connector Body
2	04-443	Support Grip, Single Eye, Single Weave
3	294-002-249	Harmonized Power Cord
4	294-115-344	Plug Body

