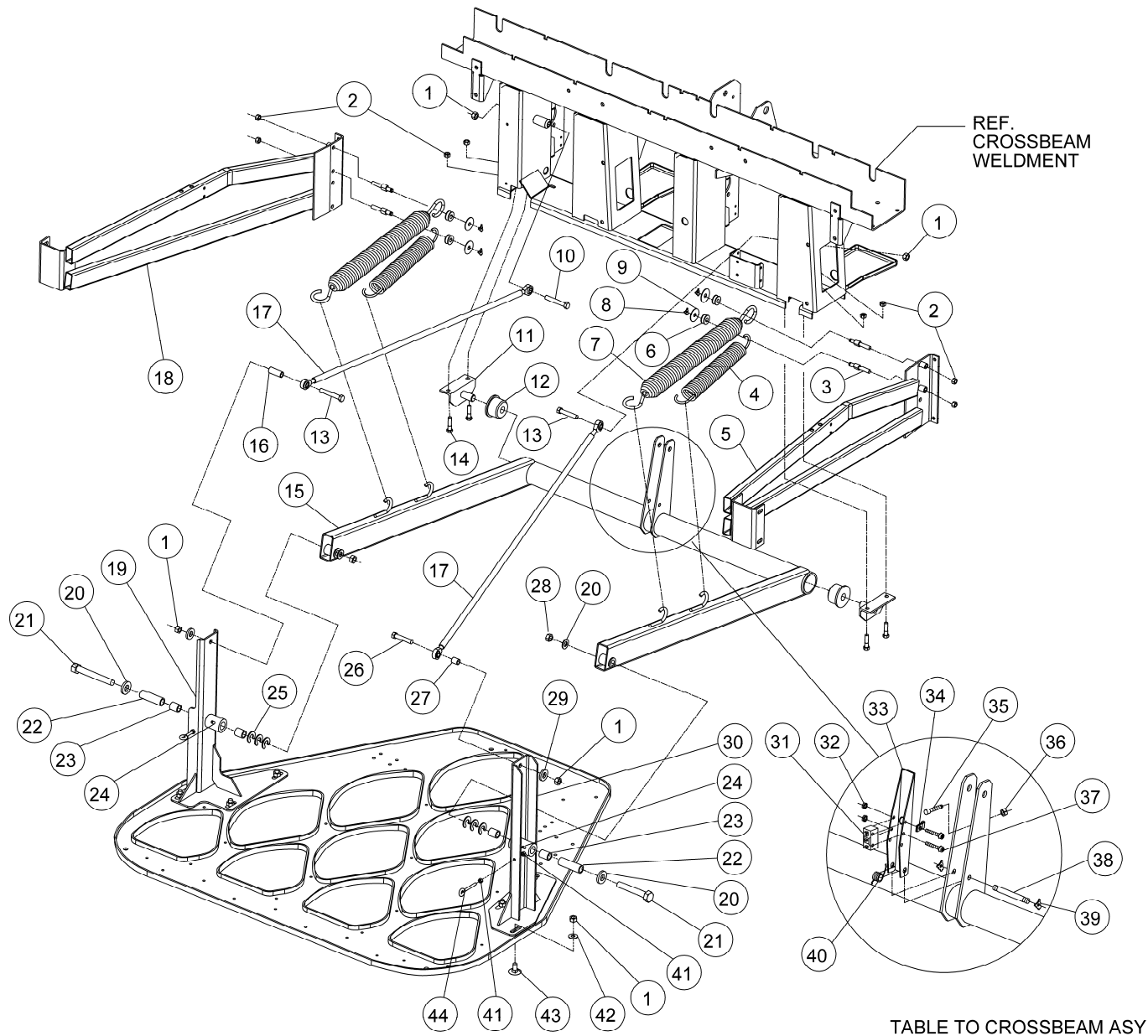


# TABLE & CROSSBEAM ASSEMBLY





## TABLE & CROSSBEAM ASSEMBLY

ITEM	QTY	PART #	DESCRIPTION
1	10	838-369-002	NUT, CENTER PUNCH LOCK, 7/16 - 14
2	8	839-665-002	NUT, STOVER LOCK, 3/8 - 16
3	4	090-002-028	SPRING ROLLER PIN
4	2	090-005-662	COUNTERBALANCE SPRING, SMALL
5	1	090-005-646	SIDE BRACE, L.H.
6	4	090-003-795	COUNTERBALANCE SPRING ROLLER
7	2	000-022-782	COUNTERBALANCE SPRING
8	4	963-400-002	X-WASHER, 3/16
9	4	945-867-242	WASHER, FLAT, .406 X 1-1/2 X .05
10	1	809-869-365	SCREW, HEX, 7/16 - 14 X 2.25
11	2	090-004-007	TUBE HANGER BRACKET
12	2	090-005-015	TORQUE TUBE BEARING
13	1	809-869-520	SCREW, HEX, 7/16 - 14 X 3.25
14	4	809-865-245	SCREW, HEX, 3/8 - 16 X 1-1/2
15	1	090-005-645	TORQUE TUBE WELDMENT
16	1	090-005-597	LEVELING SPACER
17	2	090-005-253	TIE ROD ASSEMBLY
18	1	090-005-647	SIDE BRACE, R.H.
19	1	090-005-514	TABLE SUPPORT WELDMENT, 10-PIN SIDE
20	4	948-983-212	WASHER, 21/32 X 1-5/16
21	2	070-006-048	BOLT, SPECIAL
22	2	090-005-654	SLEEVE, UPRIGHT
23	4	900-114-101	SLEEVE BEARING .877 X 1.128 X 5/8
24	2	710-501-004	GREASE FITTING
25	6	070-007-752	SPACER
26	1	809-869-325	SCREW, HEX, 7/16 - 14 X 2

ITEM	QTY	PART #	DESCRIPTION
27	1	070-007-303	LEVELING ROD SPACER
28	2	844-081-002	NUT, STOVER LOCK, 5/8 - 11
29	2	949-100-002	WASHER, 59/64 X 15/32 X 1/16
30	1	090-005-509	TABLE SUPPORT WELDMENT, 7-PIN SIDE
31	1	000-026-042	MICROSWITCH
32	2	843-127-002	NUT, HEX LOCK, 6-32
33	1	070-001-852	OFF-SPOT LEVER
34	1	744-203-013	CABLE CLAMP
35	1	070-001-854	ADJUSTMENT SCREW
36	1	835-549-002	NUT, HEX JAM, 1/4-20
37	2	818-227-202	SCREW, ROUND HEAD, 6-32 X 1-1/4
38	1	070-001-591	PIN
39	2	963-400-002	X-WASHER
40	1	070-001-853	SPRING
41	4	835-549-002	NUT, HEX JAM, 1/4 - 20
42	6	947-271-967	WASHER, FLAT, 7/16
43	6	801-369-161	CARRIAGE BOLT, 7/16 - 14 X 1
44	2	879-849-487	EYEBOLT, 1/4 - 20 X 3