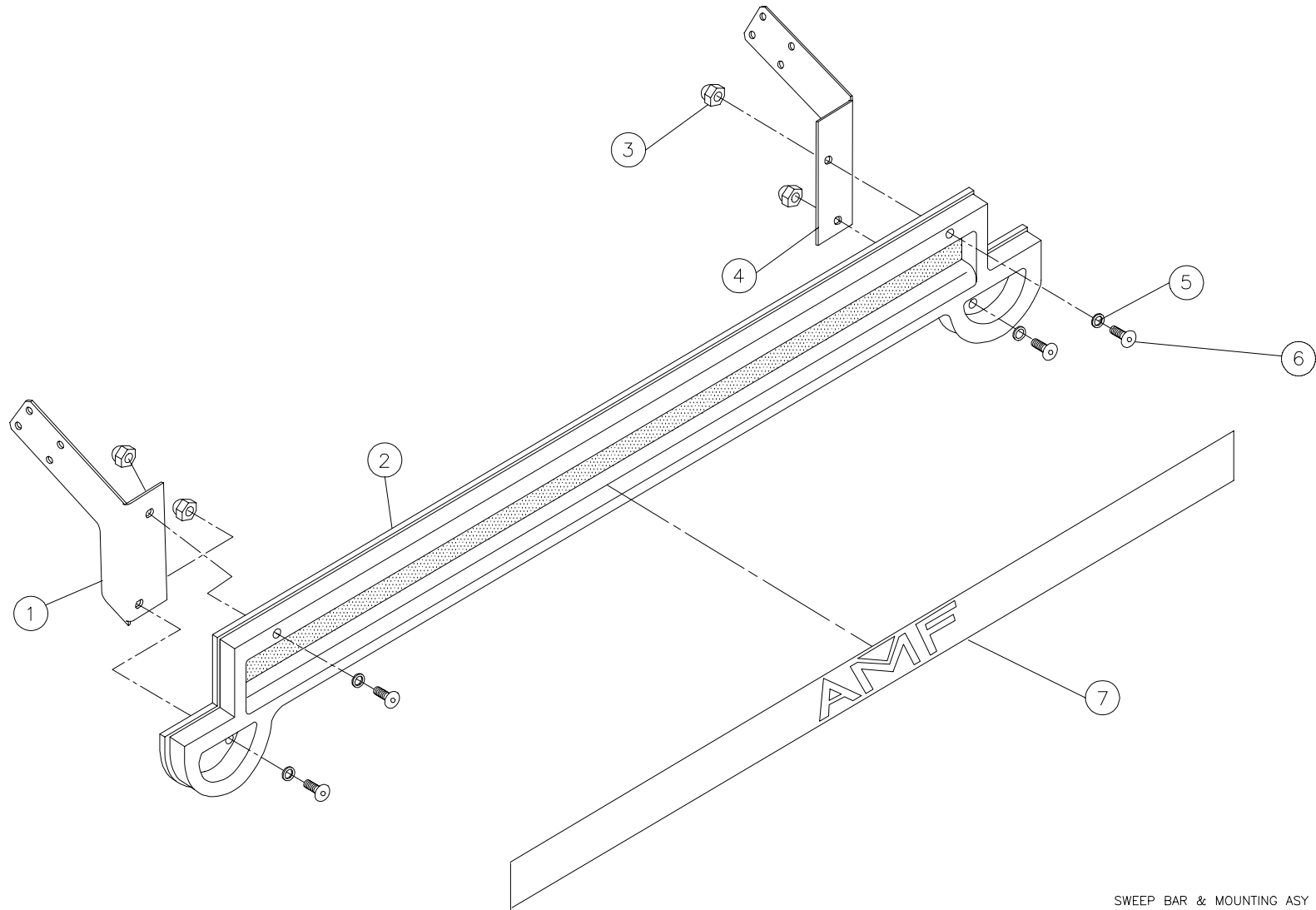


SWEEP BAR & MOUNTING ASSEMBLY





SWEEP BAR & MOUNTING ASSEMBLY

ITEM	QTY	PART #	DESCRIPTION
1	1	090-006-129	SWEEP MOUNTING BRACKET, L.H.
2	1	300-000-165	SWEEP BAR
3	4	830-057-002	NUT, ACORN, 5/16 - 18
4	1	090-006-130	SWEEP MOUNTING BRACKET, R.H.
5	4	948-722-111	WASHER, FLAT, 11/16 X 11/32 X 1/16
6	4	808-557-140	SCREW, BUTTON HEAD, 5/16 - 18 X 7/8
7	1	090-006-166	SWEEP DECAL, 8290XL, GLOW

ITEM	QTY	PART #	DESCRIPTION
------	-----	--------	-------------