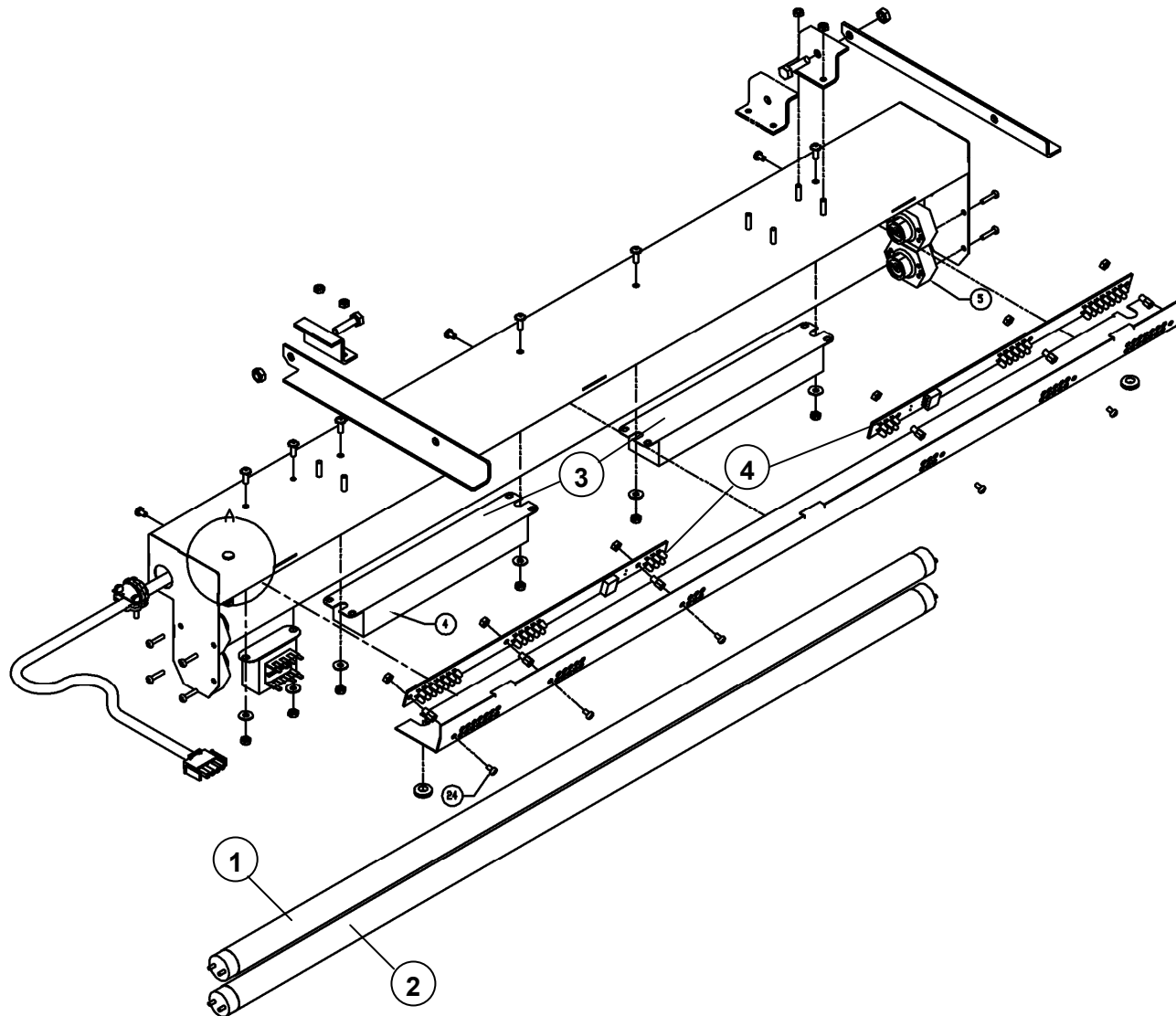


DUAL PIT LIGHT ASSEMBLY



088-000-024, DUAL PIT LIGHT ASSEMBLY



DUAL PIT LIGHT ASSEMBLY

ITEM	QTY	PART #	DESCRIPTION
1	1	751-001-466	LAMP, DAY LIGHT T8 36", 30W
2	1	751-001-460	LAMP, BLACK LIGHT T8 36", 30W
3	2	740-501-017	BALLAST, 110-277V, 50/60 HZ
4	2	090-008-020	INFRARED LAMP ASSEMBLY

ITEM	QTY	PART #	DESCRIPTION
------	-----	--------	-------------