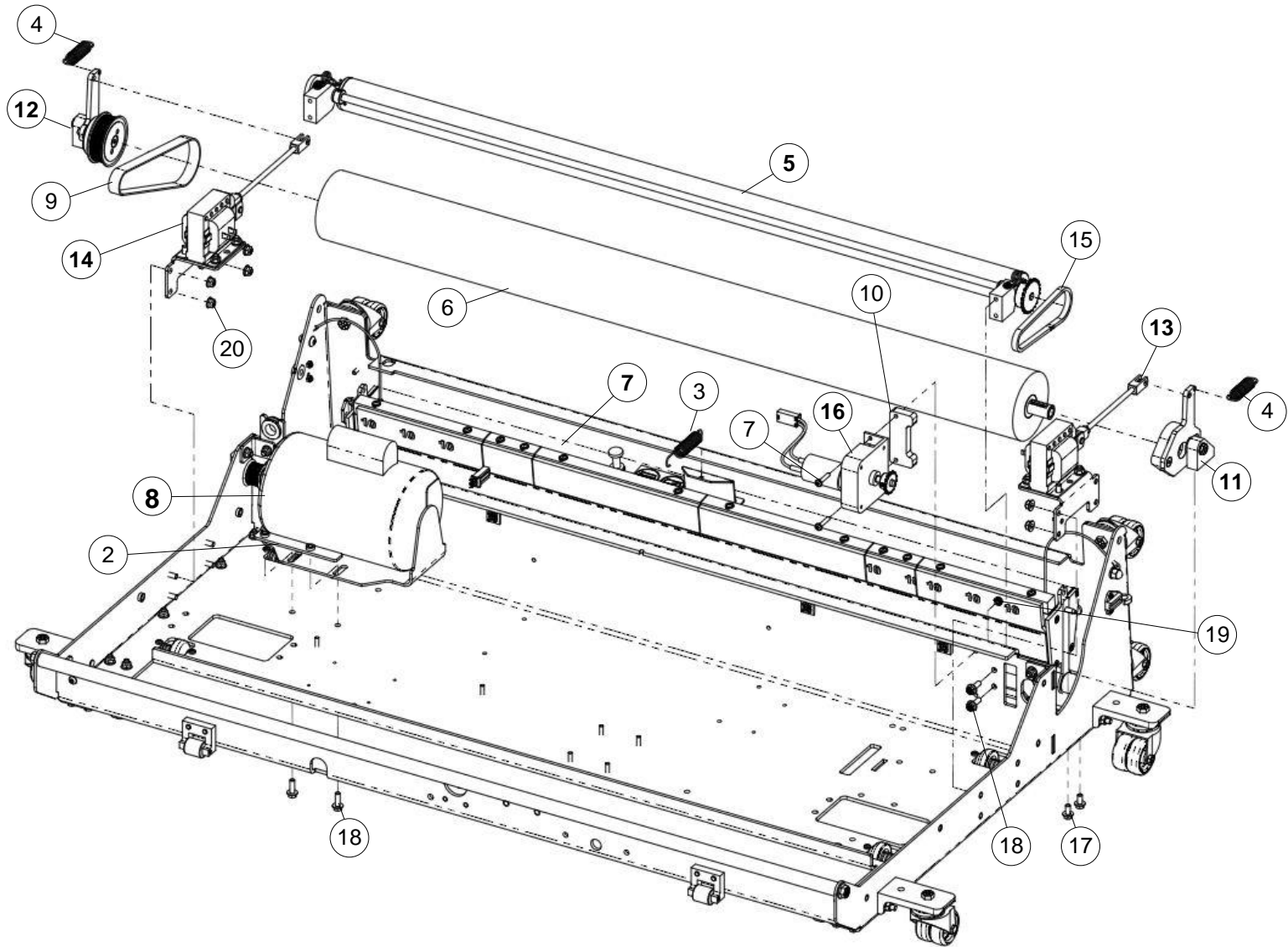


## Oiling & Buffing System



## Oiling & Buffing System

	NUMBER	DESCRIPTION
1	01-024	SCREW, PAN HEAD, 10-32 X 1
2	294-116-025	BUFFER MOTOR NUT PLATE
3	294-116-054	OIL TANK SPRING
4	294-116-055	BUFFER RETURN SPRING
5	<b>294-116-062</b>	<b>TRANSFER ROLLER DRIVE ASM</b>
6	294-116-065	BUFFER BRUSH
7	<b>294-116-068</b>	<b>OIL TANK ASM</b>
8	<b>294-116-071</b> <b>294-116-070</b>	<b>BUFFER MOTOR ASM, 110V</b> <b>BUFFER MOTOR ASM, 220V</b>
9	294-116-082	BUFFER BELT
10	294-116-083	TRANSFER MOTOR SHIM

	NUMBER	DESCRIPTION
11	<b>294-116-090</b>	<b>LEFT HAND BUFFER MOUNTING ASM</b>
12	<b>294-116-093</b>	<b>RIGHT HAND BUFFER MOUNTING ASM</b>
13	<b>294-116-095</b> <b>294-116-094</b>	<b>LEFT HAND BUFFER SOLENOID ASM, 110V</b> <b>LEFT HAND BUFFER SOLENOID ASM, 220V</b>
14	<b>294-116-097</b> <b>294-116-096</b>	<b>RIGHT HAND BUFFER SOLENOID ASM, 110V</b> <b>RIGHT HAND BUFFER SOLENOID ASM, 220V</b>
15	294-116-099	TRANSFER CHAIN
16	<b>294-116-150</b>	<b>TRANSFER MOTOR ASM</b>
17	801-749-081	SCREW, FLANGE HEAD HEX, 1/4-20 X 1/2
18	801-749-121	SCREW, FLANGE HEAD HEX, 1/4-20 X 3/4
19	843-140-002	NUT, KEPS, 10-32
20	856-149-001	NUT, HEX FLANGE STOVER LOCK, 1/4-20