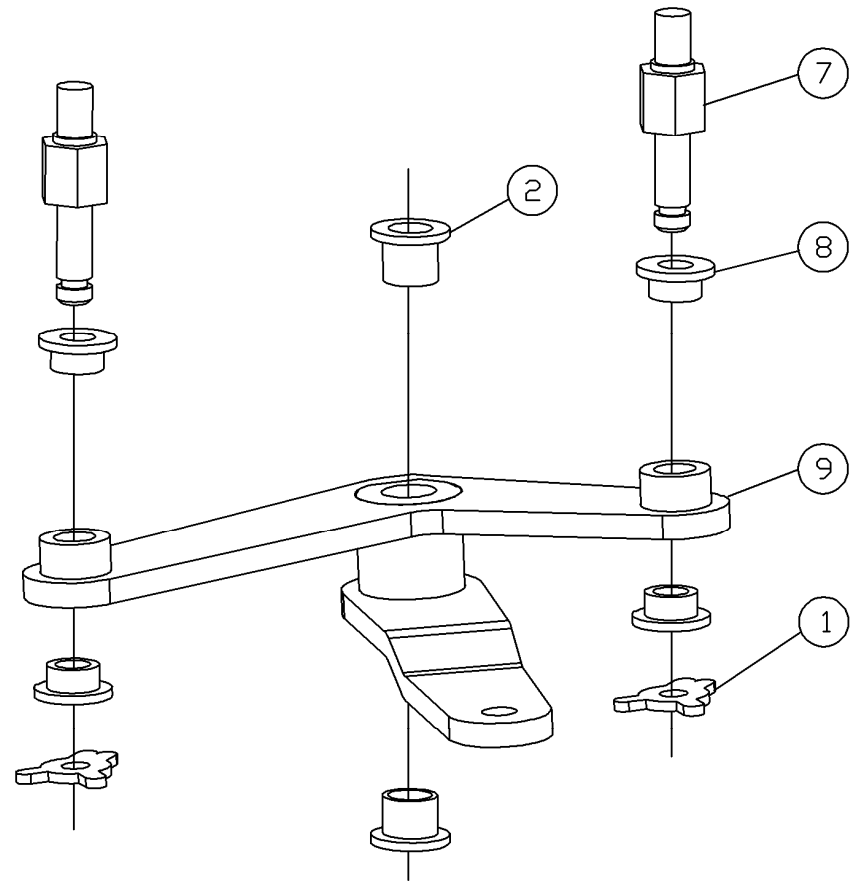
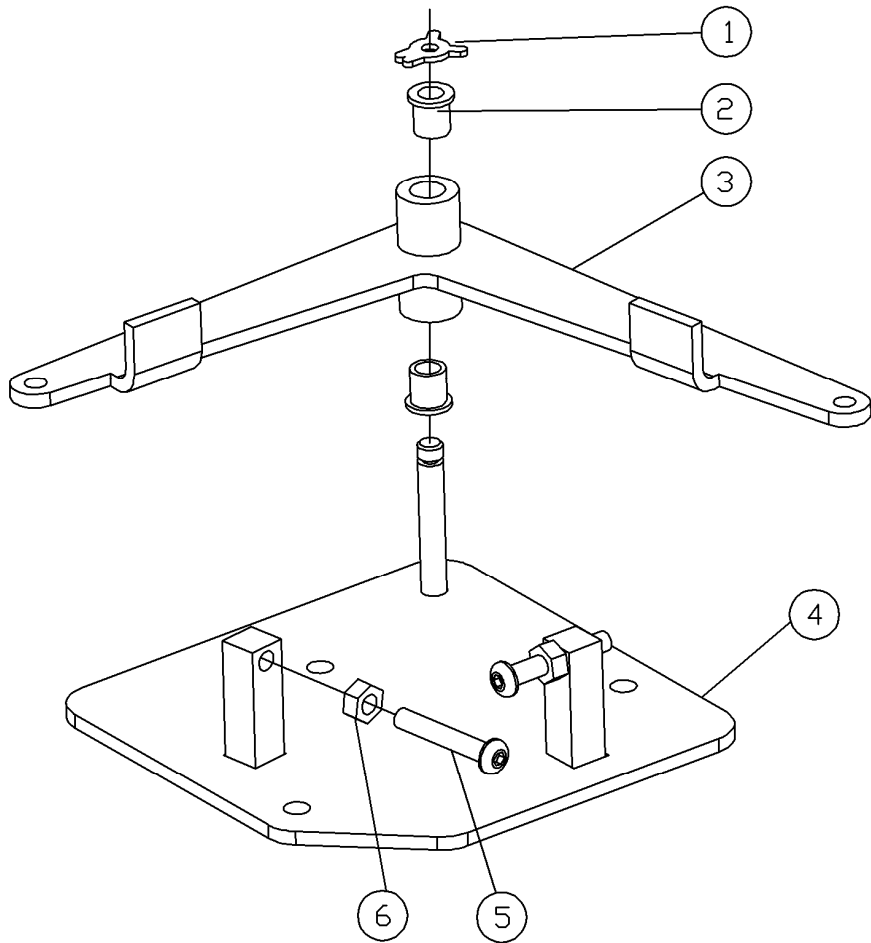


# FRONT ACTUATOR & CONNECTOR ASSEMBLIES



FRONT ACTUATOR & CONNECTOR ASY



## FRONT ACTUATOR & CONNECTOR ASSEMBLIES

| ITEM | QTY | PART #      | DESCRIPTION                              |
|------|-----|-------------|--|
| 1    | 3   | 963-400-002 | X-WASHER                                 |
| 2    | 4   | 900-205-081 | FLANGED BEARING, .315 X .44 X .5         |
| 3    | 1   | 090-005-600 | ACTUATOR LEVER WELDMENT                  |
| 4    | 1   | 090-005-603 | ACTUATOR BASE WELDMENT                   |
| 5    | 2   | 808-549-200 | SCREW, BUTTON HEAD CAP, 1/4 - 20 X 1-1/4 |
| 6    | 2   | 835-549-002 | NUT, HEX JAM, 1/4 - 20                   |
| 7    | 2   | 090-005-612 | FRONT CONNECTING LINK PIN, 7 PIN         |
| 8    | 4   | 070-002-630 | FLANGED BEARING, .252 X .315 X .218      |
| 9    | 1   | 090-005-607 | FRONT CONNECTING LINK                    |

| ITEM | QTY | PART # | DESCRIPTION |
|------|-----|--------|-------------|
|------|-----|--------|-------------|