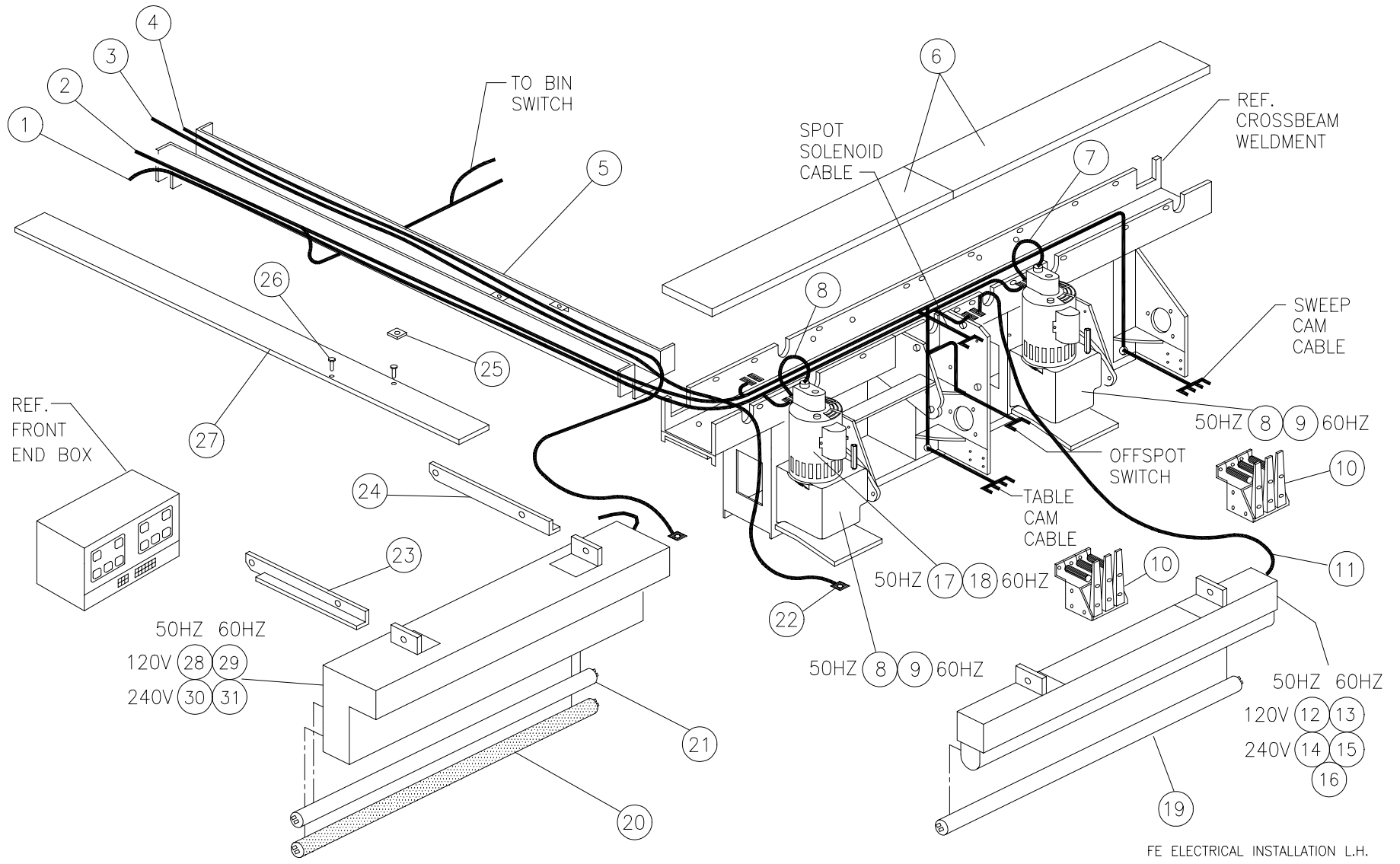


FRONT END ELECTRICAL INSTALLATION - LEFT HAND MACHINE





FRONT END ELECTRICAL INSTALLATION - LEFT HAND MACHINE

ITEM	QTY	PART #	DESCRIPTION
1	1	090-005-762	EVEN POWER CABLE
2	1	090-005-758	EVEN LOGIC CABLE
3	1	090-005-739	PINDICATION CABLE
4	1	090-005-733	FRONT END CABLE
5	1	070-007-748	FRONT WIREWAY
6	2	090-005-053	CROSSBEAM COVER
7	2	090-005-876	MOTOR CABLE
8	2	090-004-499	FRONT END GEARBOX, 50HZ
9	2	090-004-500	FRONT END GEARBOX, 60HZ
10	2	070-002-841	TABLE & SWEEP CAM SWITCH
*11	1	090-003-703	PIT LIGHT CABLE (only used on items 12-16)
12	1	090-003-802	PIT LIGHT ASSEMBLY, 120V, 50 HZ
13	1	090-003-800	PIT LIGHT ASSEMBLY, 120V, 60 HZ
14	1	090-003-801	PIT LIGHT ASSEMBLY, 240V, 50 HZ
15	1	090-003-803	PIT LIGHT ASSEMBLY, 240V, 60 HZ
16	1	090-003-805	PIT LIGHT, NO BALLAST, JAPAN
17	2	090-004-060	FRONT END MOTOR, 50HZ
18	2	090-004-061	FRONT END MOTOR, 60HZ
19	1	751-001-254	LAMP, DAYLIGHT F30T 12/DIRS
20	1	751-001-460	LAMP, BLACK LIGHT T8 36", 30W
21	1	751-001-466	LAMP, DAY LIGHT T8 36", 30W
22	1	090-005-734	STRIKE/FOUL CABLE
23	1	070-001-908	PIT LIGHT SUPPORT BRACKET, L.H.
24	1	070-001-907	PIT LIGHT SUPPORT BRACKET, R.H.
25	5	724-511-074	U-NUT, 10 - 32
26	5	812-840-082	SCREW, ROUND HEAD, 10 - 32 X ½

ITEM	QTY	PART #	DESCRIPTION
27	1	070-007-747	WIREWAY COVER
28	1	090-008-034	DUAL PIT LIGHT ASSEMBLY 36", 120V, 50HZ
29	1	090-008-017	DUAL PIT LIGHT ASSEMBLY 36", 120V, 60HZ
30	1	090-008-033	DUAL PIT LIGHT ASSEMBLY 36", 240V, 50HZ
31	1	090-008-032	DUAL PIT LIGHT ASSEMBLY 36", 240V, 60HZ

*NOTE: Items 12 - 16 (single pit light assemblies) come with item 11 (pit light cable).

Items 28 - 31 (dual pit light assemblies) come with a different cable that is attached but not sold separately.