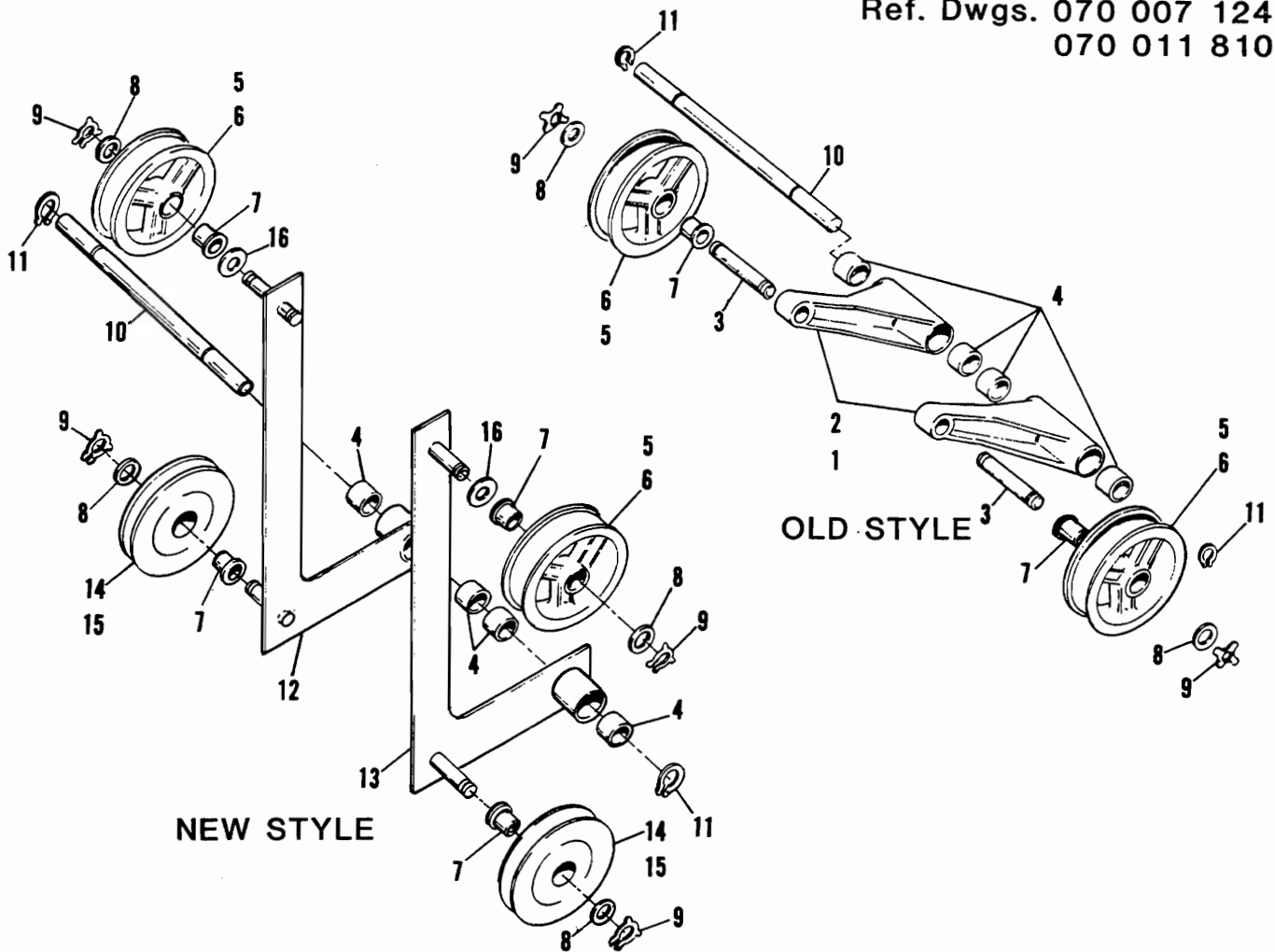


# Belt Tightner Assembly

Ref. Dwgs. 070 007 124  
070 011 810



NEW STYLE FIRST USED ON SERIAL NO. 151326

ITEM	PART NUMBER	DESCRIPTION
1.	070 001 411	Arm Assembly
2.	000 029 628	Arm
3.	070 002 072	Idler Shaft
4.	900 112 121	Bearing Sleeve
5.	000 021 408	Idler Pulley Assembly
6.	000 022 071	Idler Pulley
7.	900 208 161	Bearing, Flange
8.	948 975 172	Washer, Plain (1-1/16 OD x 17/32 ID x 3/32 Thk.)
9.	963 600 002	"X" Washer (9000-16)
10.	000 029 603	Shaft
11.	919 005 800	Retaining Ring (5100-75)
12.	070 011 524	Belt Tightener LH
13.	070 011 523	Belt Tightener RH
14.	070 011 525	Idler Sheave Assy. (Stl.)
15.	070 011 526	Idler Sheave
16.	701 316 041	Thrust Bearing