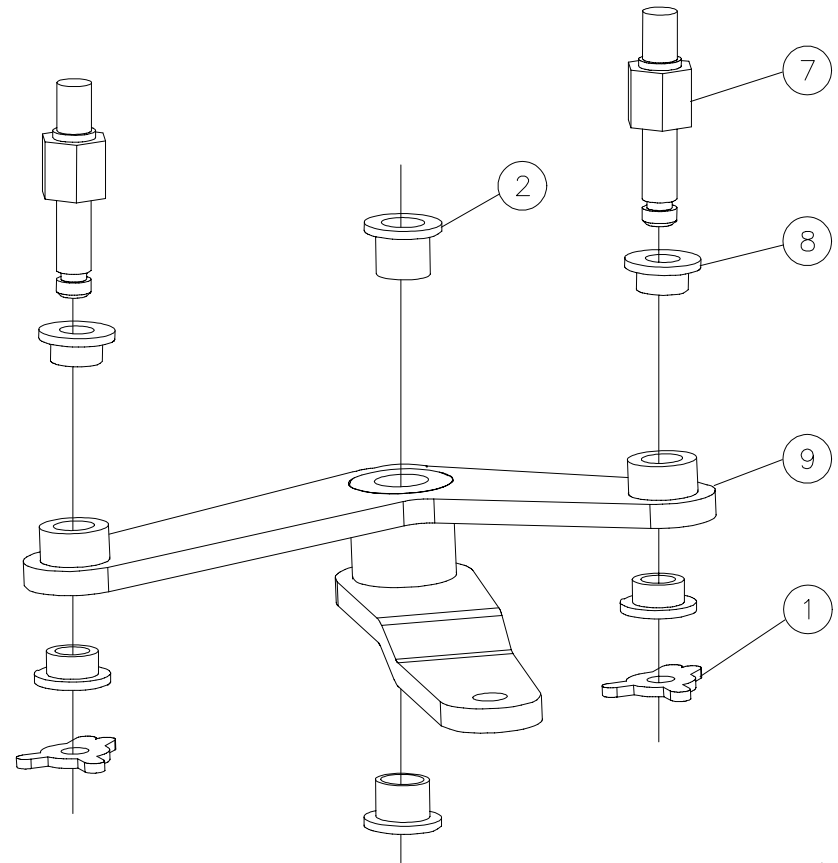
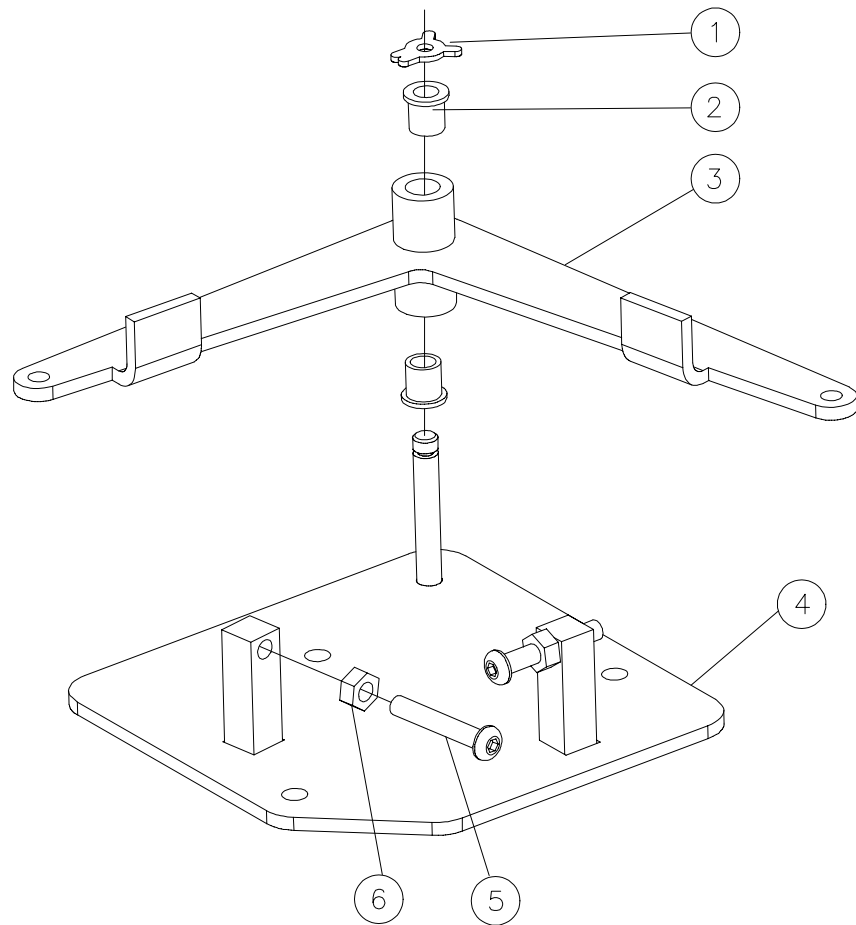


FRONT ACTUATOR & CONNECTOR ASSEMBLIES



FRONT ACTUATOR & CONNECTOR ASY'S



FRONT ACTUATOR & CONNECTOR ASSEMBLIES

ITEM	QTY	PART #	DESCRIPTION
1	3	963-400-002	X-WASHER
2	4	900-205-081	FLANGED BEARING, .315 X .44 X .5
3	1	090-005-600	ACTUATOR LEVER WELDMENT
4	1	090-005-603	ACTUATOR BASE WELDMENT
5	2	808-549-200	SCREW, BUTTON HEAD CAP, 1/4 - 20 X 1-1/4
6	2	835-549-002	NUT, HEX JAM, 1/4 - 20
7	2	090-005-612	FRONT CONNECTING LINK PIN, 7 PIN
8	4	070-002-630	FLANGED BEARING, .252 X .315 X .218
9	1	090-005-607	FRONT CONNECTING LINK

ITEM	QTY	PART #	DESCRIPTION
------	-----	--------	-------------