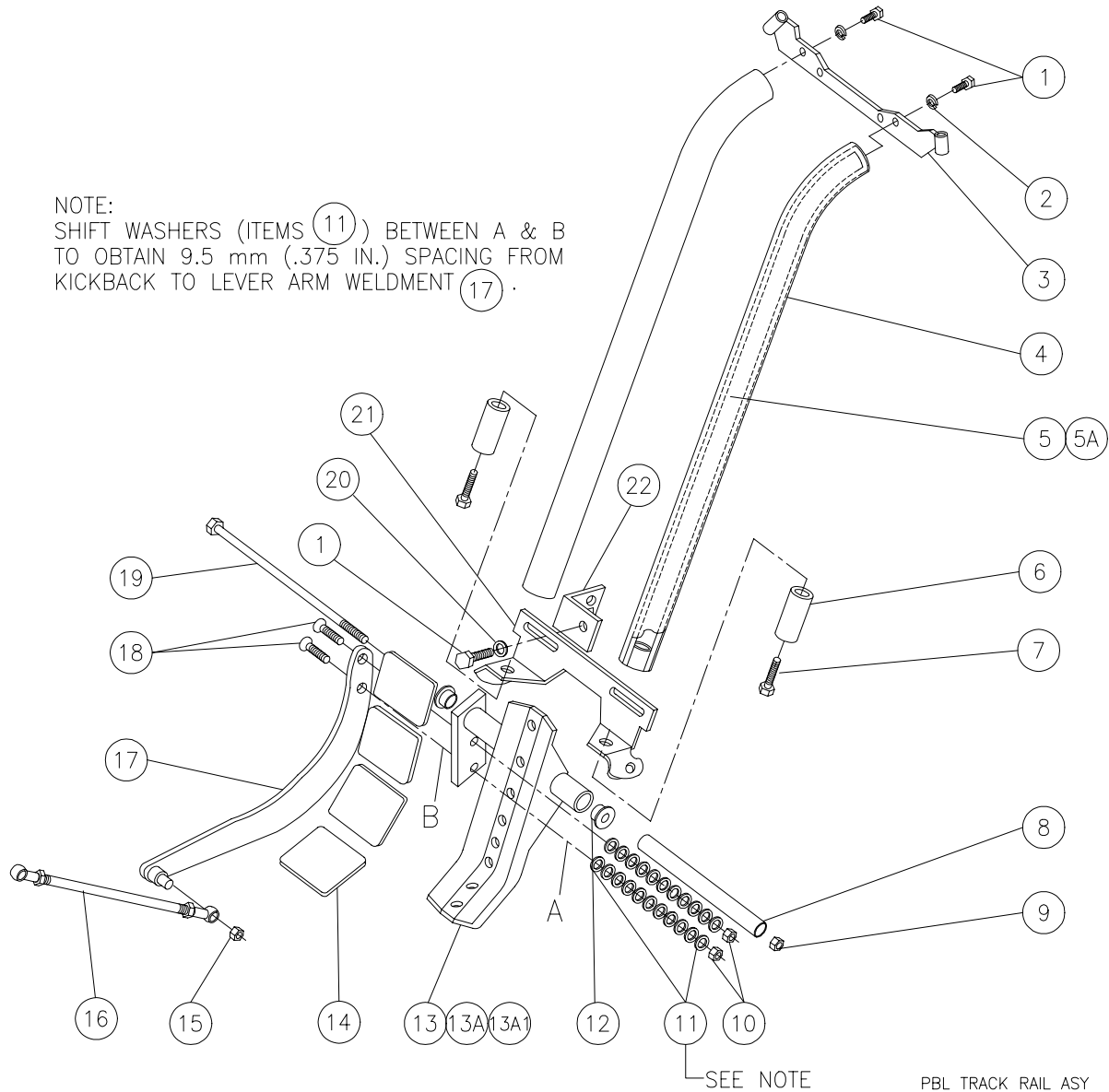


# PBL TRACK RAIL ASSEMBLY

NOTE:  
 SHIFT WASHERS (ITEMS 11) BETWEEN A & B  
 TO OBTAIN 9.5 mm (.375 IN.) SPACING FROM  
 KICKBACK TO LEVER ARM WELDMENT 17.





## PBL TRACK RAIL ASSEMBLY

ITEM	QTY	PART #	DESCRIPTION
1	2	809-865-165	SCREW, HEX, 3/8 - 16 X 1
2	2	951-164-002	WASHER, SPLIT LOCK, 3/8
3	1	000-021-813	WIPER SUPPORT
4	2	000-024-663	TRACK COVER
5	2	000-024-666	TRACK RAIL WELDMENT
5A	2	070-011-279	TRACK ASSEMBLY (includes 4 & 5)
6	2	070-011-018	BALL GUIDE
7	2	810-365-401	SCREW, SOCKET HEAD CAP, 3/8 - 16 X 2-1/2
8	1	070-011-063	SHAFT
9	2	844-065-002	NUT, STOVER LOCK, 3/8 - 16
10	2	844-057-002	NUT, STOVER LOCK, 5/16 - 18
11	0-22***	948-767-132	WASHER, FLAT, 13/32 X 13/16 X 1/16
12	2	900-210-161	FLANGED BEARING, .628 x 1
13	1	070-011-411	LIFT ARM WELDMENT
13A	1	070-011-412	LIFT ARM ASSEMBLY (includes 12 & 13)
13A1	1	070-011-413	LIFT ASSEMBLY (incl. 8, 9, 13A, 14, 19 & 21)
14	4	090-002-024	CRADLE LINER
15	1	838-866-002	NUT, HEX, 3/8 - 24
16	1	090-005-259	ROD ASSEMBLY
17	1	070-011-218	LEVER ARM WELDMENT
18	2	808-857-280	SCREW, FLAT HEAD, 5/16 - 18 x 1-3/4
19	1	809-865-992	SCREW, HEX, 3/8 - 16 X 9
20	1	958-584-002	WASHER, LOCK, 3/8
21	1	070-008-191	BALL LIFT BRACKET
22	1	000-024-668	TRACK SUPPORT BRACKET WELDMENT

ITEM	QTY	PART #	DESCRIPTION
------	-----	--------	-------------

\*\*\*From 0 to 22 washers may be needed for spacing. See installation drawing 610-007-043.