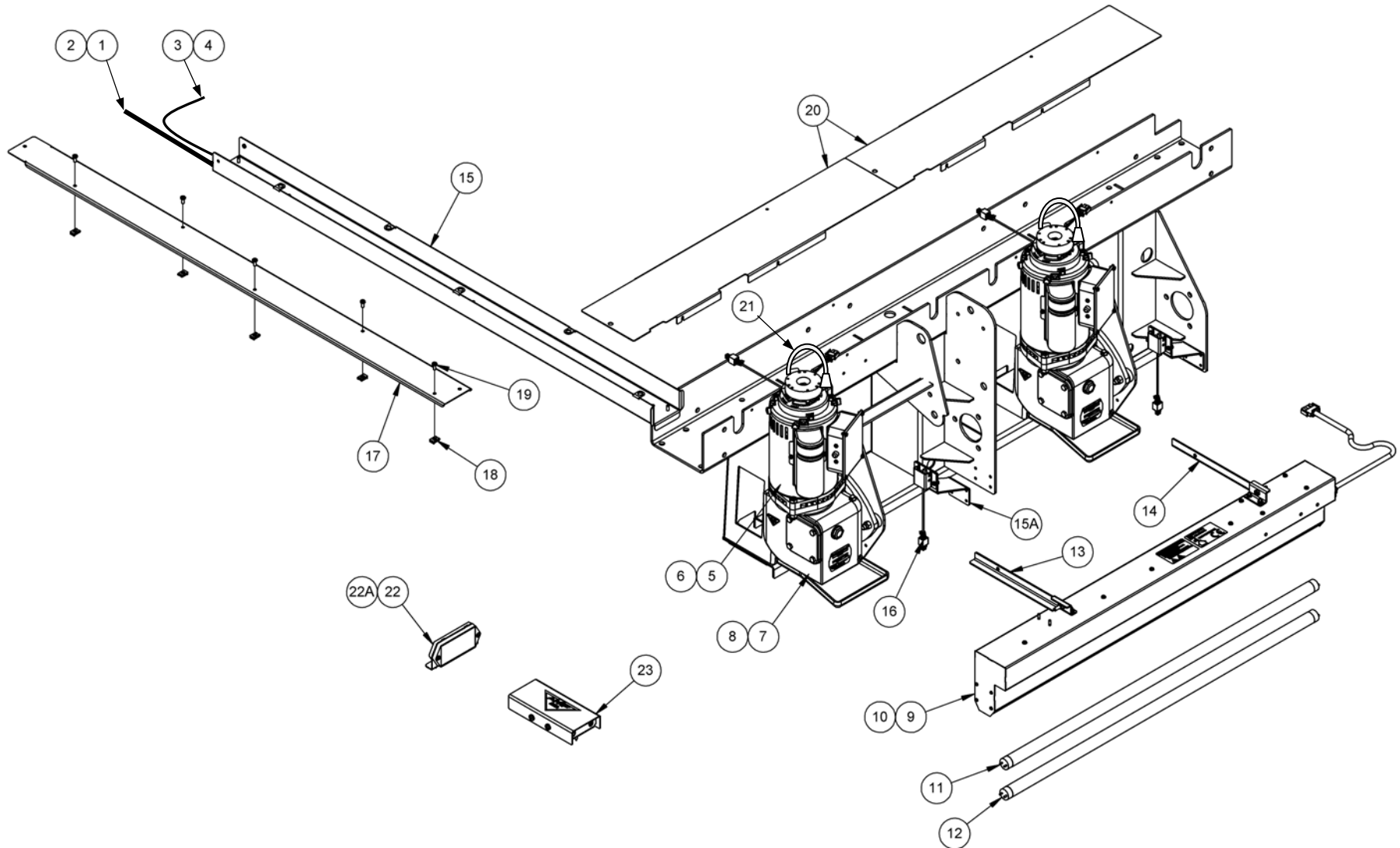


# FRONT END ELECTRICAL INSTALLATION

**NOTE:** Even machine shown. Odd machine has cable duct on the opposite end of the crossbeam.





## FRONT END ELECTRICAL INSTALLATION

ITEM	QTY	PART #	DESCRIPTION	ITEM	QTY	PART #	DESCRIPTION
1	1	088-500-238	EVEN MACHINE POWER CABLE				
2	1	088-500-239	ODD MACHINE POWER CABLE				
3	1	088-000-242	EVEN MACHINE LOGIC CABLE				
4	1	088-000-243	ODD MACHINE LOGIC CABLE				
5	2	088-000-145	FRONT END XLi MOTOR ASSEMBLY, 50 HZ				
6	2	088-000-146	FRONT END XLi MOTOR ASSEMBLY, 60 HZ				
7	2	088-004-509	FRONT END GEARBOX, 50HZ				
8	2	088-004-504	FRONT END GEARBOX, 60HZ				
9	1	088-000-401	DUAL PIT LIGHT ASSEMBLY, CE				
10	1	088-000-400	DUAL PIT LIGHT ASSEMBLY				
11	1	751-001-471	LAMP, DAY LIGHT, 36"				
12	1	751-001-460	LAMP, BLACK LIGHT, 36"				
13	1	070-001-907	PIT LIGHT SUPPORT BRACKET, 7-PIN SIDE				
14	1	070-001-908	PIT LIGHT SUPPORT BRACKET, 10-PIN SIDE				
15	2	088-000-022	ENCODER				
15A	2	088-000-107	HOME ASSEMBLY				
16	1	088-200-477	CABLE DUCT ASSEMBLY, WIDE				
17	1	088-500-226	CABLE DUCT COVER, WIDE				
18	5	724-511-074	U-NUT, 10 - 32				
19	5	818-240-082	SCREW, PAN HEAD, 10 - 32 X 1/2, SEMS				
20	2	088-500-225	CROSSBEAM COVER				
21	2	090-005-876	MOTOR CABLE				
22	2	088-000-189	REFLECTOR, XLi BALL DETECTOR				
22A	1	088-001-292	REFLECTOR KIT (incl. 2 reflectors and bracket)				
23	1	088-000-080	BALL DETECTOR ASSEMBLY				