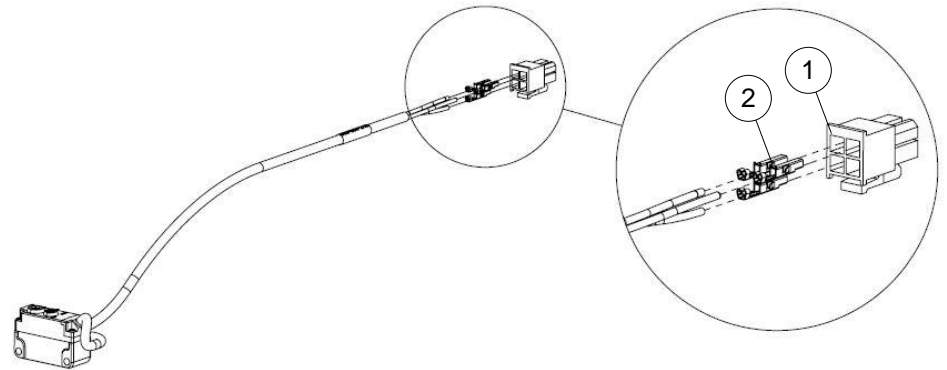


Optical Sensor Assembly - 088-000-245

	NUMBER	DESCRIPTION
1	745-020-328	CONNECTOR, 4 POSITION
2	760-010-234	CRIMP TERMINAL, 18-24 AWG



Counter Wheel Assembly

	NUMBER	DESCRIPTION
1	294-115-046	ENCODER
2	294-116-145	ENCODER SHAFT
3	294-116-162	TOOTH COUNTER WHEEL
4	294-116-163	COUNTER SHAFT, WHEEL
5	294-116-164	COUNTER WHEEL
6	294-116-165	COUNTER ARM
7	294-116-166	COUNTER SHAFT, MOUNT
8	294-116-167	COUNTER MOUNTING BRACKET
9	701-035-040	BEARING, 12 mm X 28 mm X 8 mm
10	701-415-001	BUSHING, FLANGED, 12 mm X 18 mm X 8 mm X 3 mm
11	807-104-061	SCREW, SET, CUP POINT, M4-.7 X 6 mm
12	810-206-501	SCREW, SOCKET HEAD, M6-1 X 50 mm
13	817-921-060	SCREW, PAN HEAD, 4-40 X 3/8
14	860-006-251	SCREW, SOCKET HEAD, M6-1 X 25 mm
15	872-062-017	NUT, NYLON LOCK, M6-1

