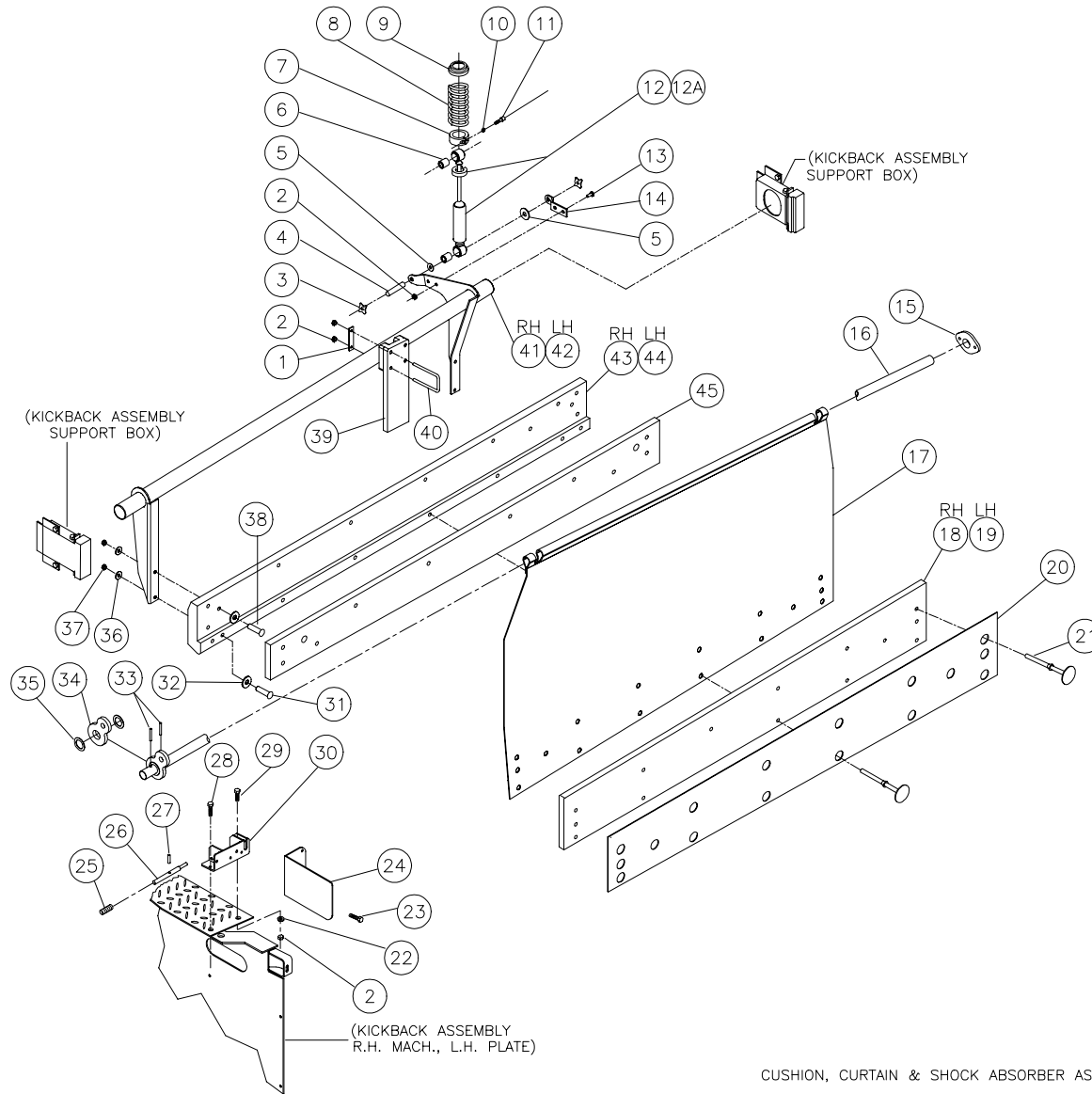


# CUSHION, CURTAIN, & SHOCK ABSORBER ASSEMBLY



CUSHION, CURTAIN & SHOCK ABSORBER ASY



## CUSHION, CURTAIN, & SHOCK ABSORBER ASSEMBLY

ITEM	QTY	PART #	DESCRIPTION
1	2	070-001-421	STRAP
2	7	844-057-002	NUT, STOVER LOCK, 5/16 - 18
3	4	963-600-002	X-WASHER
4	2	000-022-821	PIN
5	4	948-975-172	WASHER, FLAT, 1-1/16 X 17/32 X 3/32
6	2	000-022-822	SLEEVE
7	1	000-022-286	CUSHION STRUT COLLAR
8	1	000-022-288	SPRING
9	1	000-022-287	SPRING SEATING WASHER
10	1	951-148-002	WASHER, SPLIT LOCK, 1/4
11	1	810-250-200	SCREW, SOCKET HEAD CAP, 1/4 - 28 X 1-1/4
12	1	000-022-823	SHOCK ABSORBER w/UPPER COLLAR
12A	1	000-022-824	SHOCK ASSY (Includes 6, 7, 8, 9, 10, 11 & 12)
13	2	809-857-125	SCREW, HEX, 5/16 - 18 X 3/4
14	1	000-024-534	HANGER EAR
15	1	070-011-286	CURTAIN ROD BUSHING
16	1	070-011-288	CURTAIN ROD
17	1	000-026-450	CURTAIN ASSEMBLY
18	1	000-024-807	RUBBER CUSHION, R.H. MACHINE
19	1	000-024-808	RUBBER CUSHION, L.H. MACHINE
20	1	090-005-230	CUSHION COVER
21	16	000-028-519	RIVET, CUSHION ASSEMBLY
22	1	948-761-112	WASHER, 11/32 X 11/16 X 1/16
23	2	809-849-125	SCREW, HEX, 1/4 - 20 X 3/4
24	1	070-004-738	GUARD
25	1	070-001-389	CURTAIN LATCH SPRING

ITEM	QTY	PART #	DESCRIPTION
26	1	070-001-396	CURTAIN LATCH PIN
27	1	913-431-160	SPRING PIN, .156 X 1
28	1	809-857-205	SCREW, HEX, 5/16 - 18 X 1-1/4
29	1	809-857-165	SCREW, HEX, 5/16 - 18 X 1
30	1	070-007-360	SUPPORT BRACKET WELDMENT
31	2	808-865-400	SCREW, FLAT HEAD, 3/8 - 16 X 2-1/2
32	4	000-024-801	WASHER
33	2	913-437-240	SPRING PIN, .187 X 1-1/2
34	1	070-005-610	CURTAIN LINK
35	2	945-091-242	WASHER, 1-1/2 X 1 X .046
36	4	951-164-002	WASHER, SPLIT LOCK, 3/8
37	4	844-065-002	NUT-STOVER LOCK, 3/8 - 16
38	2	808-865-320	SCREW, FLAT HEAD, 3/8 - 16 X 2
39	1	070-001-432	PAD
40	2	070-001-422	U-BOLT
41	1	070-002-050	TUBE WELDMENT, R.H. MACHINE
42	1	070-002-252	TUBE WELDMENT, L.H. MACHINE
43	1	000-024-796	PLANK, R.H. MACHINE
44	1	000-024-795	PLANK, L.H. MACHINE
45	1	000-022-770	SPONGE RUBBER CUSHION PAD