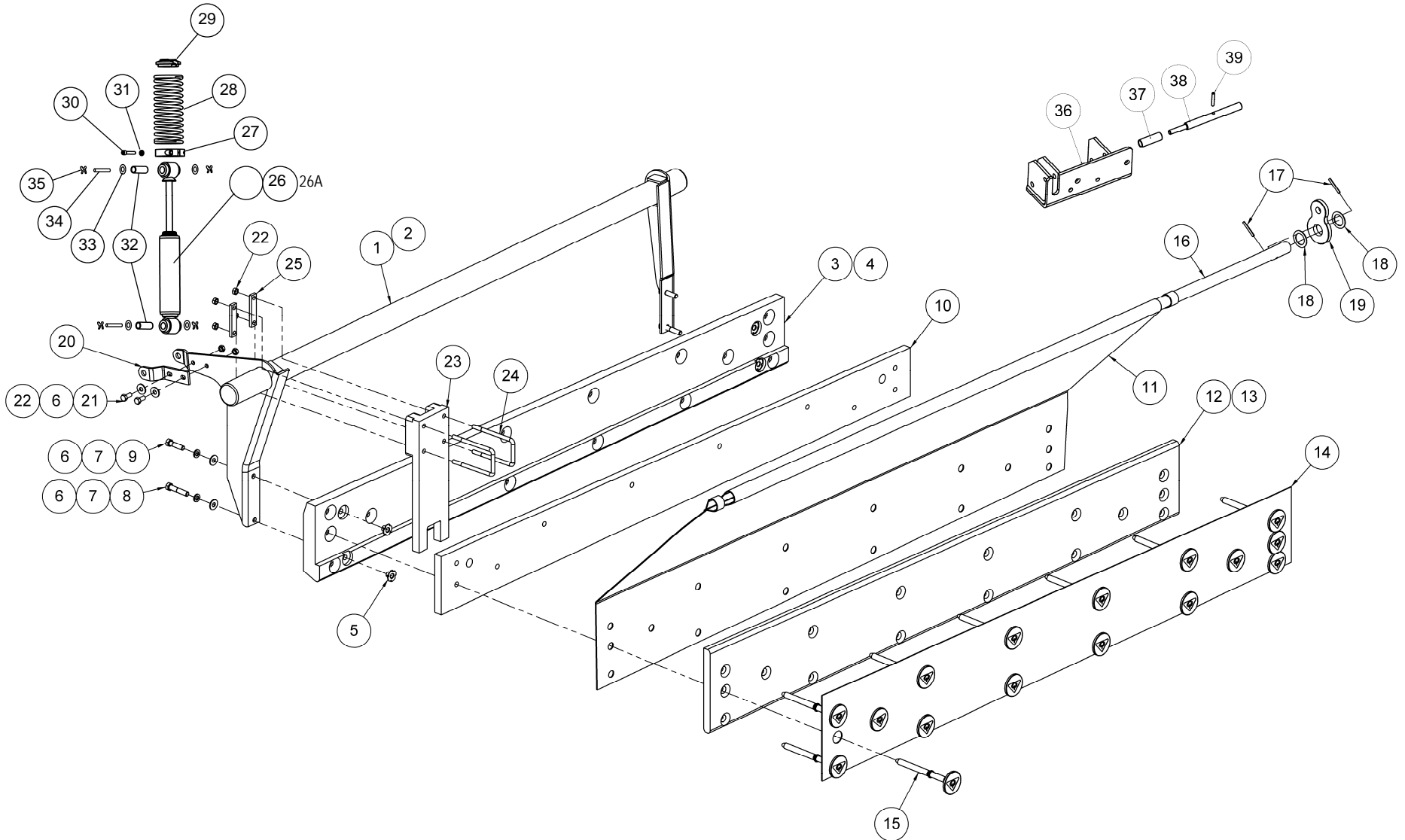


# CUSHION, CURTAIN, & SHOCK ABSORBER ASSEMBLY





## CUSHION, CURTAIN, & SHOCK ABSORBER ASSEMBLY

ITEM	QTY	PART #	DESCRIPTION
1	1	070-002-252	TUBE WELDMENT, EVEN MACHINE
2	1	070-002-050	TUBE WELDMENT, ODD MACHINE
3	1	000-024-795	PLANK, EVEN MACHINE
4	1	000-024-796	PLANK, ODD MACHINE
5	4	7045-003716-	TEE NUT, 3/8 - 16
6	4	947-356-617	WASHER, 5/16, FLAT
7	4	951-164-002	WASHER, SPLIT LOCK, 3/8
8	2	809-865-329	SCREW, HEX, 3/8 - 16 X 2
9	2	809-865-249	SCREW, HEX, 3/8 - 16 X 1-1/2
10	1	000-022-770	SPONGE RUBBER CUSHION PAD
11	1	000-026-450	CURTAIN ASSEMBLY
12	1	000-024-808	RUBBER CUSHION, EVEN MACHINE
13	1	000-024-807	RUBBER CUSHION, ODD MACHINE
14	1	090-005-230	CUSHION COVER
15	16	000-028-529	RIVET, URETHANE, CUSHION ASSEMBLY
16	1	070-011-288	CURTAIN ROD
17	2	913-437-240	SPRING PIN, .187 X 1-1/2
18	2	945-091-242	WASHER, 1-1/2 X 1 X .046
19	1	070-005-610	CURTAIN LINK
20	1	000-024-534	HANGER EAR
21	2	809-857-125	SCREW, HEX, 5/16 - 18 X 3/4
22	7	844-057-002	NUT, STOVER LOCK, 5/16 - 18
23	1	070-001-432	PAD
24	2	070-001-422	U-BOLT
25	2	070-001-421	STRAP

ITEM	QTY	PART #	DESCRIPTION
26	1	000-022-823	SHOCK ABSORBER w/UPPER COLLAR
26A	1	000-022-824	SHOCK ASSY (Includes items 26 through 32)
27	1	000-022-286	CUSHION STRUT COLLAR
28	1	000-022-288	SPRING
29	1	000-022-287	SPRING SEATING WASHER
30	1	810-250-200	SCREW, SOCKET HEAD CAP, 1/4 - 28 X 1-1/4
31	1	951-148-002	WASHER, SPLIT LOCK, 1/4
32	2	000-022-822	SLEEVE
33	4	948-975-172	WASHER, FLAT, 1-1/16 X 17/32 X 3/32
34	2	000-022-821	PIN
35	4	963-600-002	X-WASHER
36	1	070-007-360	SUPPORT BRACKET WELDMENT
37	1	070-001-389	CURTAIN LATCH SPRING
38	1	070-001-396	CURTAIN LATCH PIN
39	1	913-431-160	SPRING PIN, .156 X 1