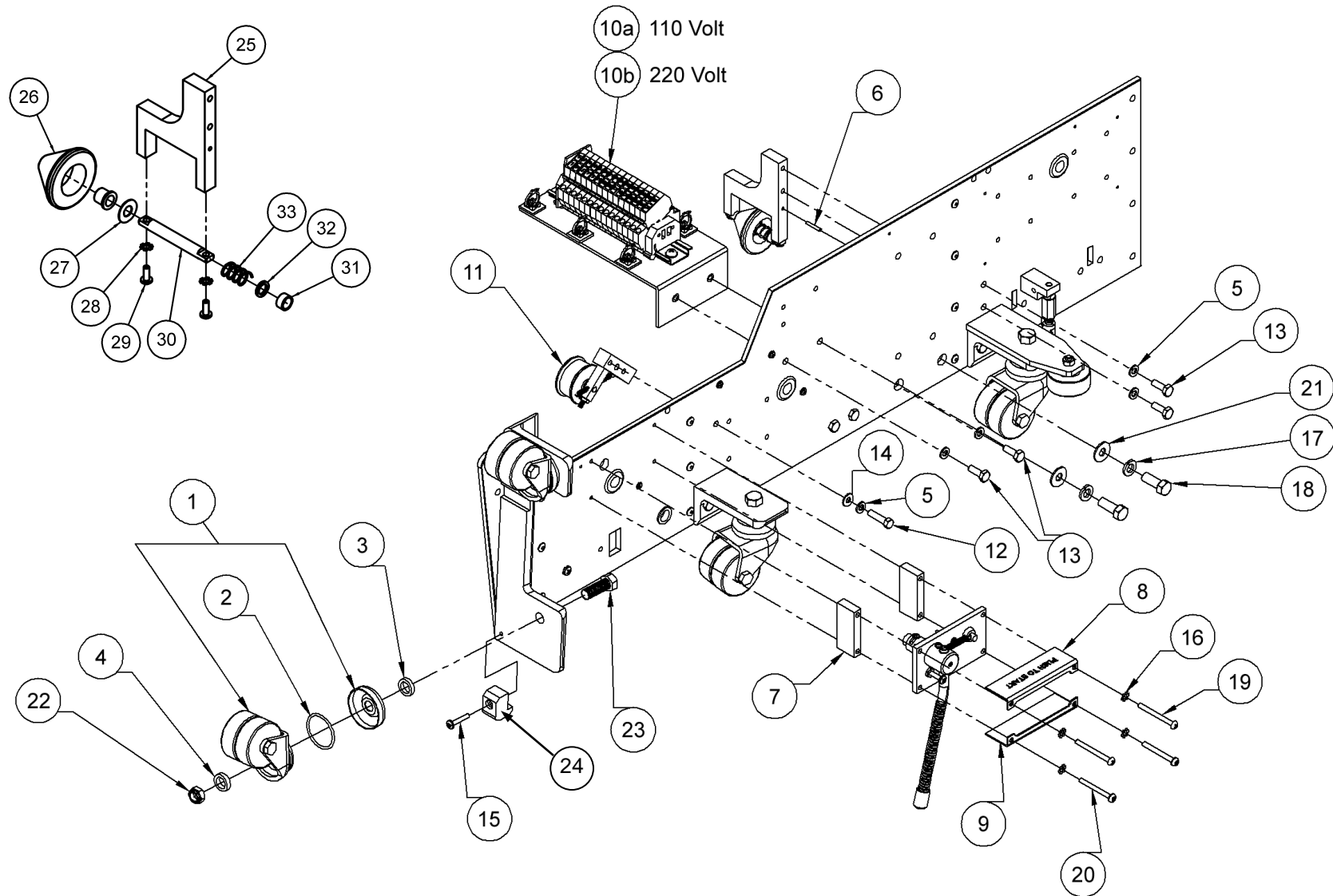


# FRAME ASSEMBLY – SIDE PLATE 2



## FRAME ASSEMBLY – SIDE PLATE 2

PART NO.	DESCRIPTION
1	04-292 DOUBLE CASTER W/ DUST CUP
2	04-332 O-RING 1 3/8 ID X 3/32 WALL
3	A-00371 SPACER, .750 OD X .510 ID X .160 THICK
4	A-0794 CASTER SPACER
5	01-054 WASHER, 1/4, SPLIT, ZINC
6	01-078 ROLL PIN, 1/8 X 3/4
7	294-002-442 STARTER BOX END
8	294-002-443 STARTER BOX TOP COVER
9	294-002-444 STARTER BOX COVER
10a	294-002-356* FUSE BLOCK ASSEMBLY 110V
10b	294-002-238* FUSE BLOCK ASSEMBLY 220V
11	SA-6516R* IDLER ASSEMBLY, RIGHT
12	01-048 SCREW, 1/4-20 X 1, HEX HEAD, ZINC
13	01-046 SCREW, 1/4-20 X 3/4, HEX HEAD, ZINC
14	01-036 WASHER, 3/16, USS, FLAT
15	01-025 SCREW, #10-32 X 1", SLOTTED PAN HEAD
16	01-033 WASHER, #10, EXT TOOTH LOCK, ZINC
17	01-070 WASHER, 3/8, SPLIT, BRIGHT ZINC
18	01-066 SCREW, 3/8-16 X 1, HEX HEAD, BRIGHT ZINC
19	01-155 SCREW, #10-32 X 2, ROUND HEAD MACHINE SCREW
20	01-392 SCREW, 10-32 X 1 3/4 PAN HEAD MACHINE SCREW
21	01-065 WASHER, 5/16, A, FLAT
22	01-159 NUT, 7/16-20, NYLON LOCK, THIN
23	01-337 SCREW, 7/16 X 1 1/4 HEX HEAD BOLT, PLATED
24	A-0586 PIVOT CASTER BLOCK
25	294-002-017 GUIDE BRACKET
26	294-002-011 GUIDE ROLLER ASSEMBLY
27	964-572-000 THRUST WASHER
28	01-033 LOCK WASHER, #10, EXTERNAL TOOTH
29	01-021 SCREW, PAN HEAD, 10-32 X 1/2
30	294-002-016 GUIDE ROLLER SHAFT
31	294-002-087 GUIDE SHAFT SPACER
32	945-546-900 GUIDE ROLLER WASHER
33	294-002-025 GUIDE SPRING

\* For more information, refer to the individual part drawing.