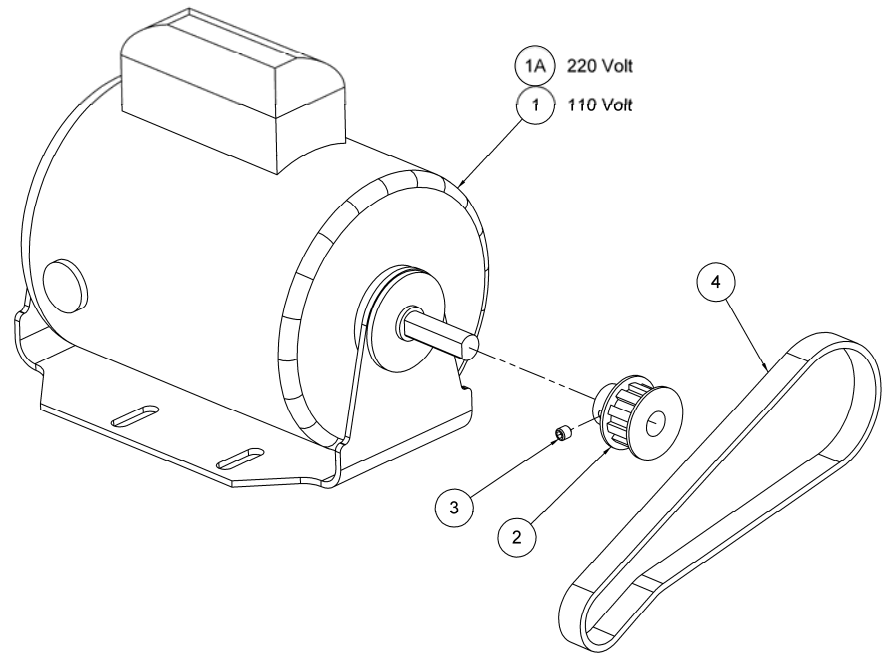


Oiling & Buffing System – Buffer Motor Assembly

	NUMBER	DESCRIPTION
1	294-115-038	Buffer Motor, 110-Volt (includes items 2 & 3)
1A	294-115-722	Buffer Motor, 220-Volt (includes items 2 & 3)
2	A-0425	Pulley
3	01-041	Set Screw, 1/4-20 x 1/4
4	294-115-049	Buffer Brush Belt



Oiling & Buffing System – Oil Tank Lift Assembly

	NUMBER	DESCRIPTION
1	294-115-492	Tank Pull Post
2	294-115-190	Tank Pull Post Pivot
3	294-115-168	Tank Pull Rod
4	948-753-102	Washer, 1/4, Flat, Black
5	294-002-174	Compression Spring
6	01-051	Nut, Hex, 1/4-20, Nylon Locking
7	01-087	Roll Pin, 3/16 x 2
8	294-115-468	Nut Cap, Hex, 1/4, Black

