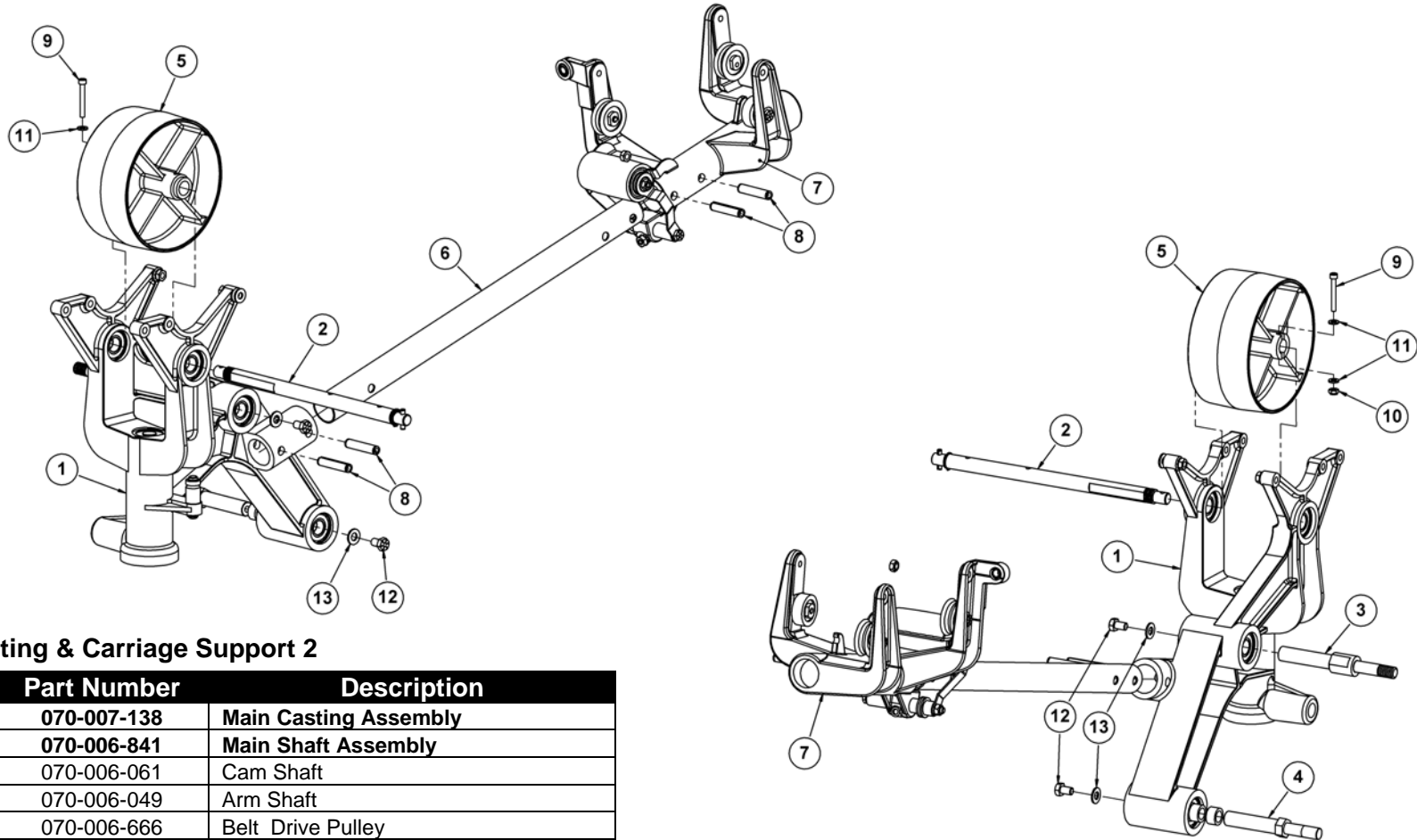




QubicaAMF XLi EDGE Distributor



Main Casting & Carriage Support 2

Item	Part Number	Description
1	070-007-138	Main Casting Assembly
2	070-006-841	Main Shaft Assembly
3	070-006-061	Cam Shaft
4	070-006-049	Arm Shaft
5	070-006-666	Belt Drive Pulley
6	070-006-120	Carriage Support Tube
7	070-006-838	Front Support Assembly
8	913-464-280	Roll Pin, Steel, 3/8 x 1 1/4
9	810-239-240	Screw, Socket Head, #10-24 x 1 1/2
10	840-039-002	Nut, Flexloc, #10-24, Thin
11	948-745-082	Washer, Plain, #12 x 1/16 Thick
12	809-857-080	Screw, Hex, 5/16-18 x 1/2
13	948-761-112	Washer, Flat, 5/16