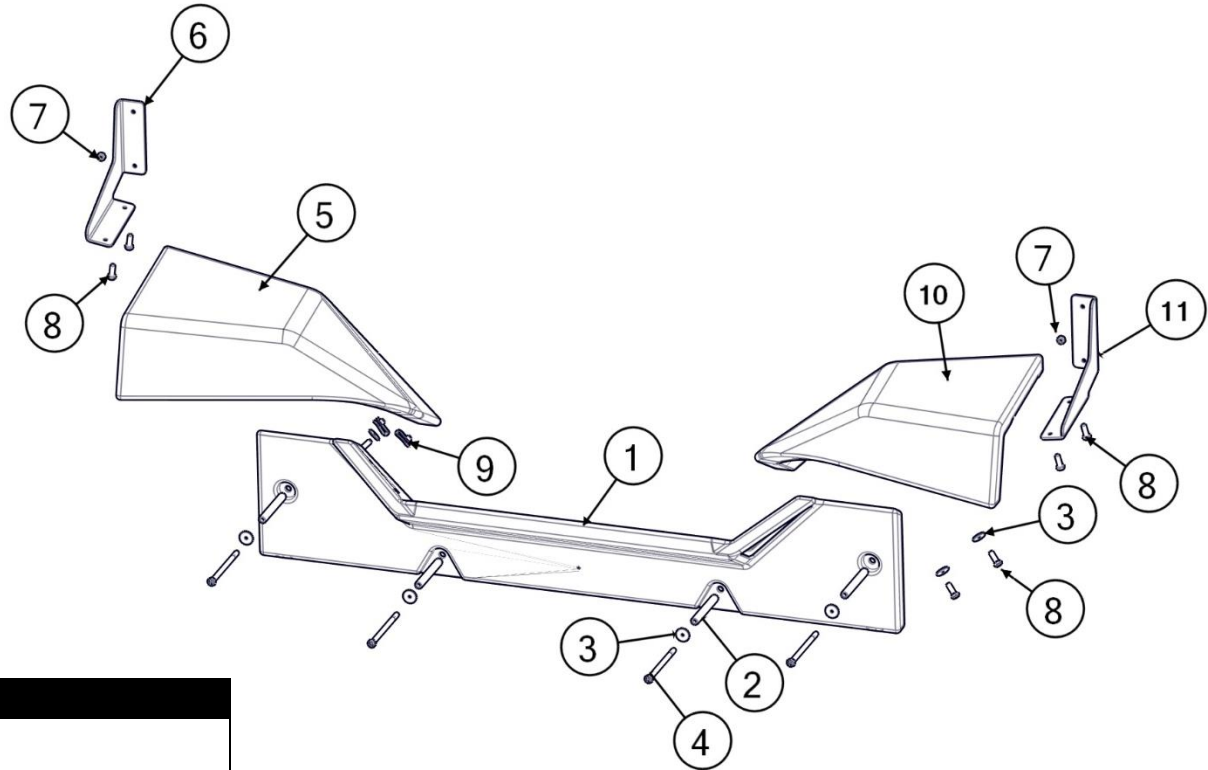




QubicaAMF – EDGE PERFORMANCE LIFT



PLOW ASSEMBLY

ITEM	PART #	DESCRIPTION
1	088-001-508	CENTER PLOW
2	088-001-543	SPACER, 4.1" LONG
3	000-026-865	FLAT WASHER, 1/4 X 7/8
4	809-849-805	SCREW, 1/4-20 X 5, HEX
5	088-001-587	PLOW, 7-PIN SIDE
6	088-001-517	PLOW BRACKET, 7-PIN SIDE
7	844-049-022	NUT, 1/4-20, HEX, STOVER LOCK
8	809-849-145	SCREW, 1/4-20 X 7/8 HEX
9	088-001-541	U-NUT, 1/4-20, LOCK
10	088-001-588	PLOW 10-PIN SIDE
11	088-001-516	PLOW BRACKET, 10-PIN SIDE