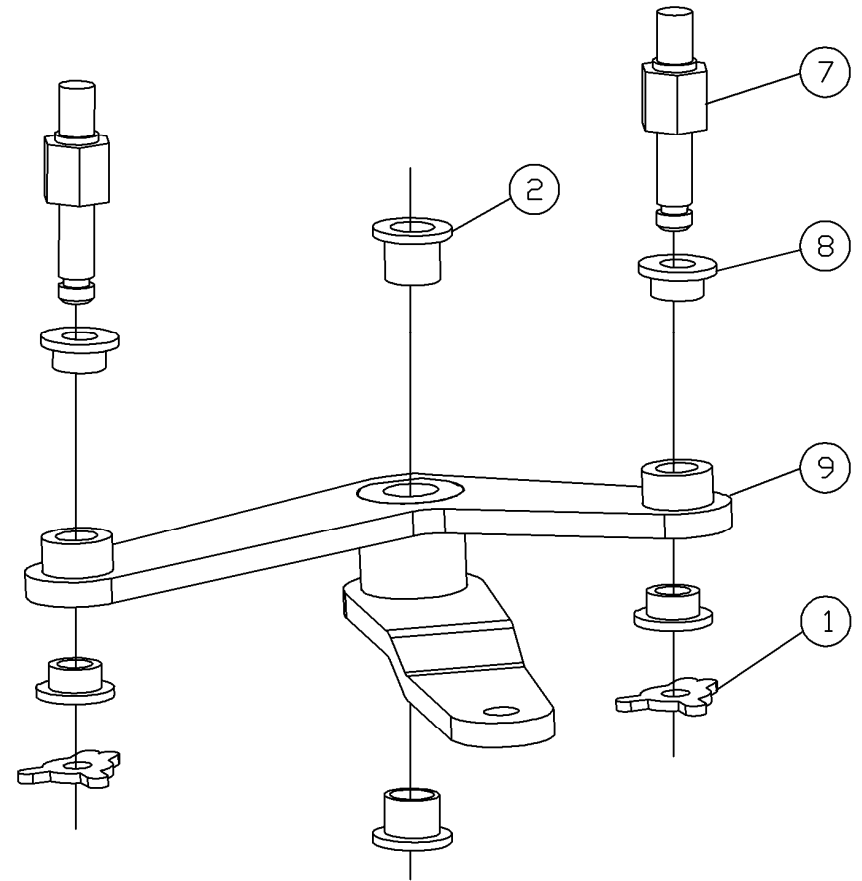
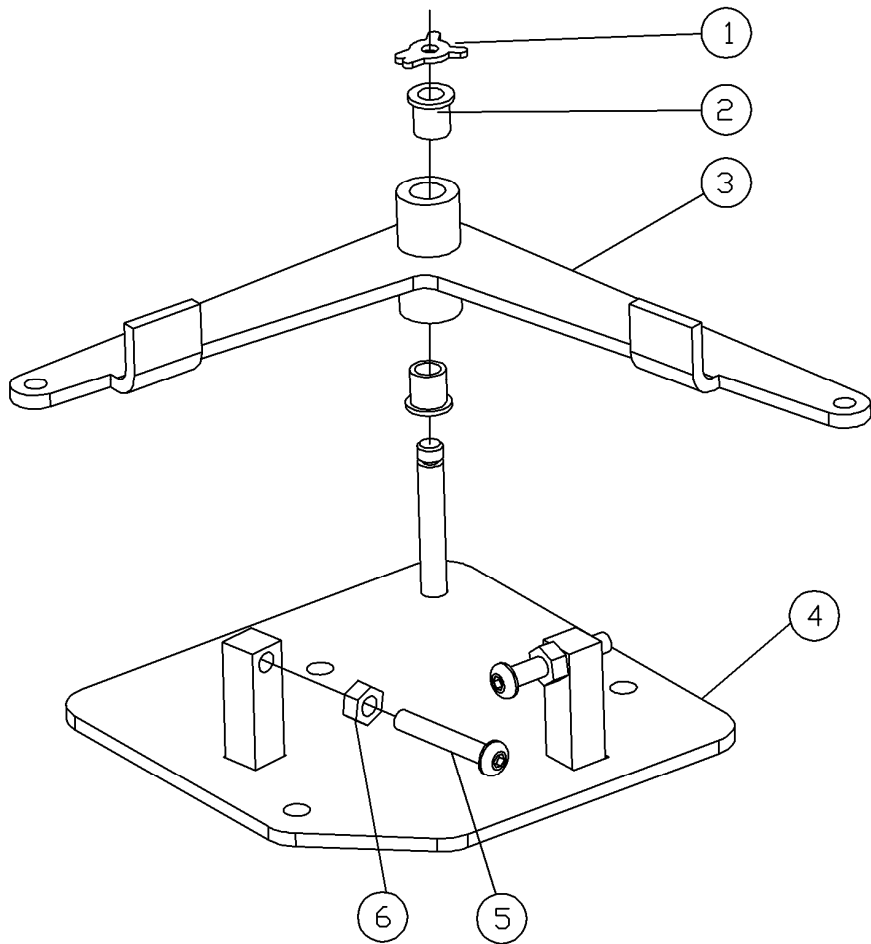


FRONT ACTUATOR & CONNECTOR ASSEMBLIES



FRONT ACTUATOR & CONNECTOR ASY



FRONT ACTUATOR & CONNECTOR ASSEMBLIES

ITEM	QTY	PART #	DESCRIPTION	ITEM	QTY	PART #	DESCRIPTION
1	3	963-400-002	X-WASHER				
2	4	900-205-081	FLANGED BEARING, .315 X .44 X .5				
3	1	090-005-600	ACTUATOR LEVER WELDMENT				
4	1	090-005-603	ACTUATOR BASE WELDMENT				
5	2	808-549-200	SCREW, BUTTON HEAD CAP, 1/4 - 20 X 1-1/4				
6	2	835-549-002	NUT, HEX JAM, 1/4 - 20				
7	2	090-005-612	FRONT CONNECTING LINK PIN, 7 PIN				
8	4	070-002-630	FLANGED BEARING, .252 X .315 X .218				
9	1	090-005-607	FRONT CONNECTING LINK				