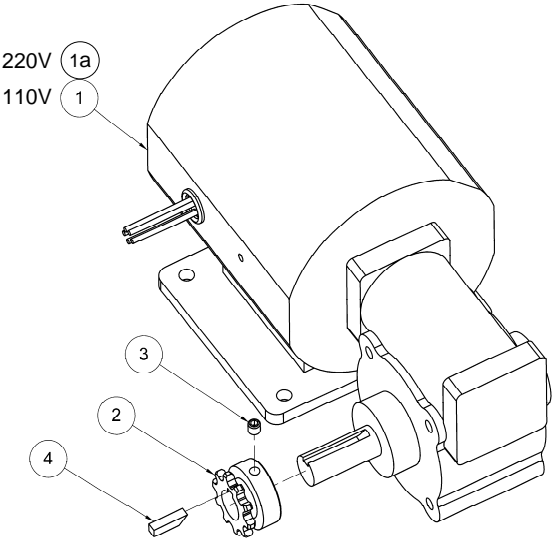


Drive Motor Assembly

	NUMBER	DESCRIPTION
1	02-525	Drive Motor, 110 Volt
1a	294-115-325	Drive Motor, 220 Volt
2	03-032	Sprocket
3	01-041	Set Screw, ¼-20 x ¼
4	A-0537	Key



Drive Wheel Cover Assemblies, LH & RH

	NUMBER	DESCRIPTION
1	294-115-111	Drive Wheel Cover
2	02-539	Wire Tie Holder, Adhesive Backed
3	01-355	Screw, Flat Head, #6 x ¼
4	04-064	Plastic Wire Tie

