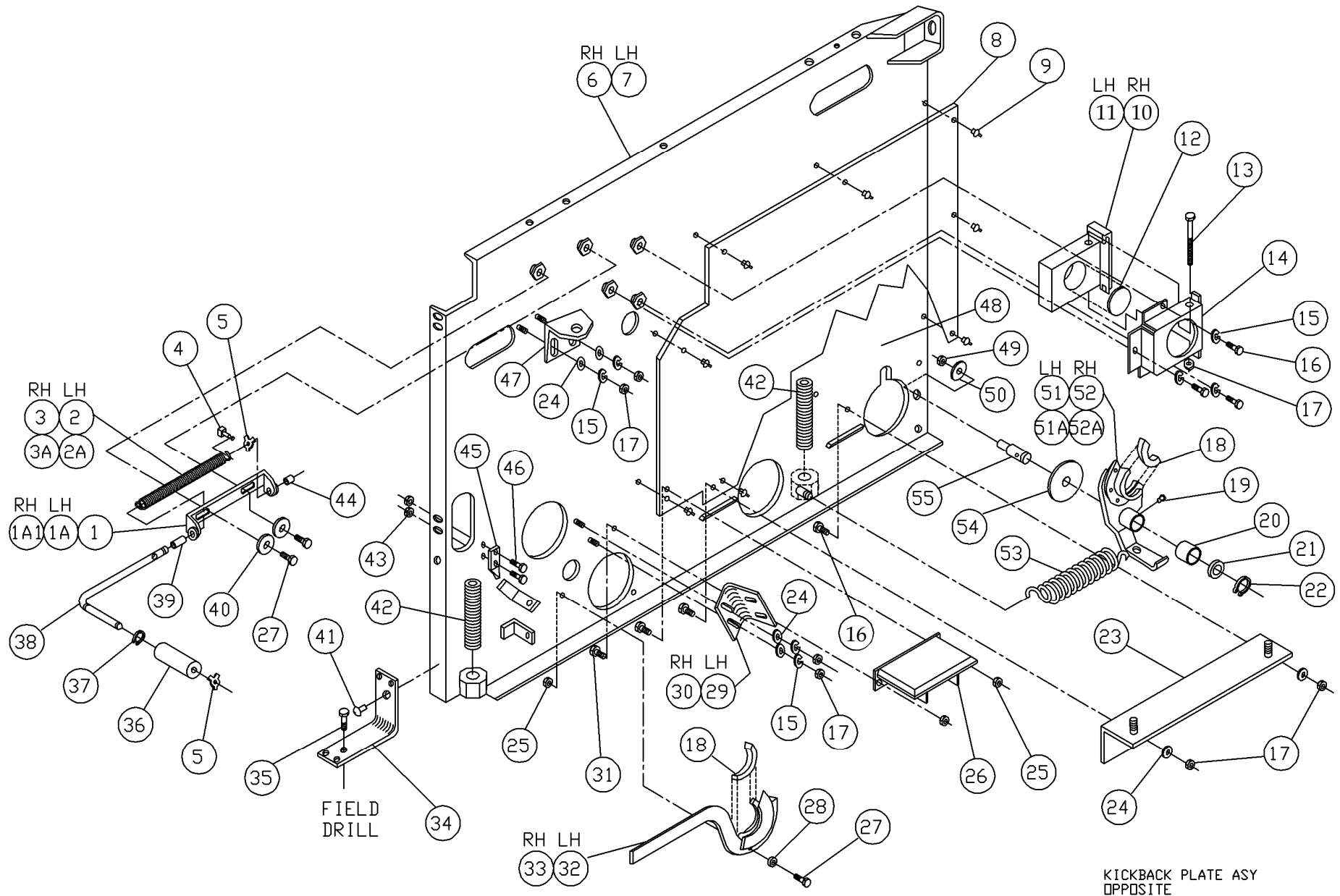


# KICKBACK PLATE ASSEMBLY- SIDE OPPOSITE BALL EXIT





## KICKBACK PLATE ASSEMBLY– SIDE OPPOSITE BALL EXIT

ITEM	QTY	PART #	DESCRIPTION
1	1	000-024-509	PIN EJECTOR BRACKET
1A	1	000-024-510	BRACKET ASSEMBLY, L.H. MACHINE (includes 1, 39 & 44)
1A1	1	000-024-511	BRACKET ASSEMBLY, R.H. MACHINE (includes 1, 39 & 44)
2	1	000-024-512	PIN EJECTOR SPRING, L.H. MACHINE
2A	1	000-024-507	PIN EJECTOR ASSEMBLY, L.H. MACHINE (includes 1, 2, 4, 5, 36, 37, 38, 39, & 44)
3	1	000-024-513	PIN EJECTOR SPRING, R.H. MACHINE
3A	1	000-024-508	PIN EJECTOR ASSEMBLY, R.H. MACHINE (includes 1, 3, 4, 5, 36, 37, 38, 39, & 44)
4	1	000-029-317	STOP PIN
5	1	963-600-002	X-WASHER, ¼
6	1	090-004-128	KICKBACK WELDMENT R.H. SIDE, L.H. MACHINE
7	1	090-004-127	KICKBACK WELDMENT L.H. SIDE, R.H. MACHINE
8	1	070-002-027	KICKBACK PANEL
9	9	937-000-000	DRIVE RIVET (field replacement)
10	1	000-022-794	BLOCK SUPPORT, R.H. SIDE
11	1	000-022-795	BLOCK SUPPORT, L.H. SIDE
12	1	000-022-300	SHIELD
13	1	809-865-645	SCREW, HEX, 3/8 - 16 X 4
14	1	000-022-788	BOX SUPPORT
15	7	951-164-002	WASHER, SPLIT LOCK, 3/8
16	5	809-865-165	SCREW, HEX, 3/8 - 16 X 1
17	7	839-665-002	NUT, FLEX LOCK, 3/8 - 16
18	2	000-022-924	SUPPORT BEARING
19	1	710-501-009	GREASE FITTING
20	1	900-112-203	SLEEVE BEARING, .753 X 1-1/4
21	1	000-027-642	WASHER
22	1	919-005-800	RETAINING RING
23	1	090-004-131	PIT SUPPORT BRACKET
24	6	948-767-132	WASHER
25	3	844-057-002	NUT, STOVER LOCK, 5/16 - 18
26	1	000-022-878	ANGLE

ITEM	QTY	PART #	DESCRIPTION
27	3	809-857-165	SCREW HEX, 5/16 - 18 X 1
28	1	000-023-467	FLANGED BEARING, .314 X .434 X .310
29	1	000-023-432	CLIP, BOTTOM, L.H. MACHINE
30	1	000-023-431	CLIP, BOTTOM, R.H. MACHINE
31	2	809-857-125	SCREW, HEX, 5/16 - 18 X ¾
32	1	000-023-465	SUPPORT WELDMENT, L.H. MACHINE
33	1	000-023-464	SUPPORT WELDMENT, R.H. MACHINE
34	1	000-026-464	KICKBACK BRACKET
35	1	709-013-059	SCREWBOLT, HEX, 8 mm X 75 mm
36	1	000-025-803	ROLLER, PIN EJECTOR ASSEMBLY
37	1	919-005-400	RETAINING RING
38	1	000-025-804	SHAFT, PIN EJECTOR ASSEMBLY
39	1	000-024-515	SLEEVE BEARING, .44 X .56 X ¾
40	1	000-028-334	WASHER
41	1	937-738-003	RIVET, STEEL
42	2	000-024-890	SETSCREW
43	2	844-049-002	NUT, STOVER LOCK, ¼ - 20
44	1	000-024-516	SLEEVE BEARING, .44 X .56 X 3/8
45	1	000-023-468	BRACKET
46	2	809-849-125	SCREW, HEX, ¼ - 20 X ¾
47	1	000-023-821	SIDE CLIP WELDMENT
48	1	070-002-027	KICKBACK PANEL
49	1	844-074-002	NUT, STOVER LOCK, 1/2 - 20
50	1	941-070-200	WASHER, FLAT, 1.25 X .5 X .083
51	1	000-021-043	BRACKET WELDMENT, L.H. SIDE, R.H. MACHINE
51A	1	000-027-645	BEARING ASSY., L.H. SIDE, R.H. MACHINE (includes: 18, 19, 20 & 51)
52	1	000-021-044	BRACKET WELDMENT, R.H. SIDE, L.H. MACHINE
52A	1	000-027-646	BEARING ASSY., R.H. SIDE, L.H. MACHINE (includes: 18, 19, 20 & 52)
53	1	000-021-204	SPRING
54	1	000-027-641	THRUST BEARING
55	1	000-029-015	PIVOT STUD