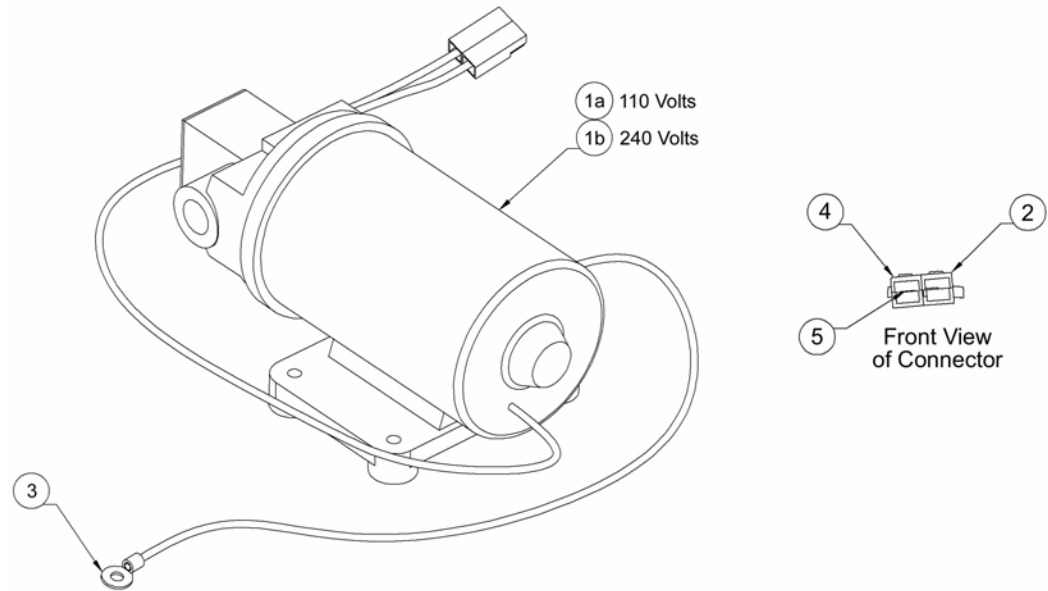


Cleaner Pump Assembly

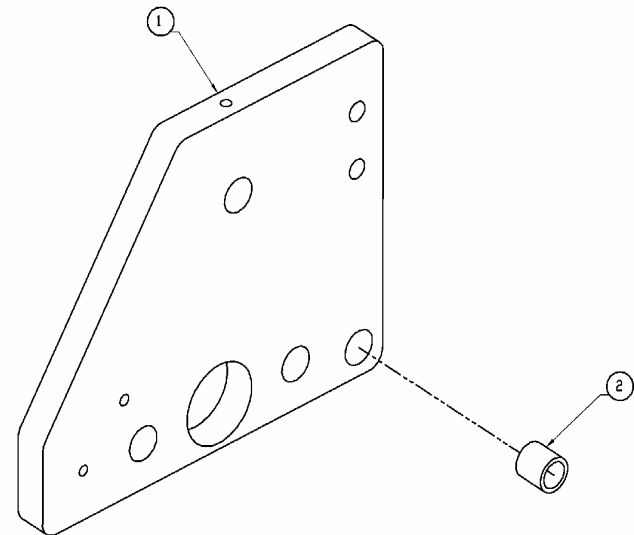
| | NUMBER | DESCRIPTION |
|----|-------------|--------------------|
| 1a | 02-206 | Cleaner Pump, 110V |
| 1b | 294-115-287 | Cleaner Pump, 240V |
| 2 | 294-115-304 | Housing, Black |
| 3 | 02-243 | Ring Terminal |
| 4 | 294-115-306 | Housing, Blue |
| 5 | 02-793 | Terminal |



294-115-014 Buffer Side Plate (Buffer Side)

294-115-019 Buffer Side Plate (Drive Side)

| | NUMBER | DESCRIPTION |
|---|-------------|------------------------------|
| 1 | 294-115-010 | Buffer Brush Side Plate |
| 2 | 294-115-015 | Bushing: .5 OD X .38 ID X .5 |



NOTE: Both the Buffer side and the driver side plates are made with the same components.