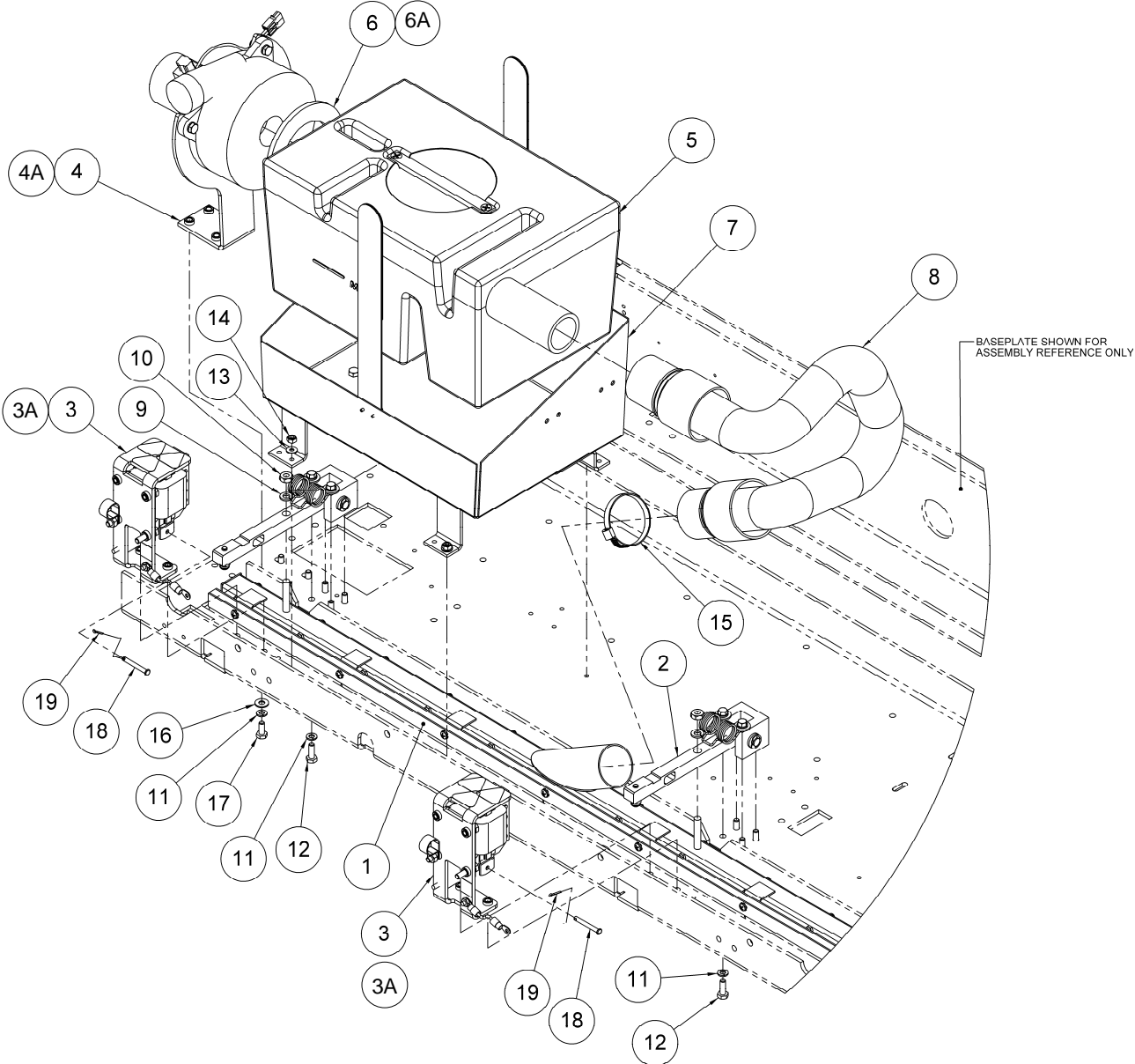


Vacuum System



Vacuum System

	NUMBER	DESCRIPTION
1	294-115-386	Vac Head Assembly
2	294-115-506	Vac Head Pivot Assembly
3	294-115-661	Vac Solenoid & Bracket Assy, 110V, Right
3A	294-115-662	Vac Solenoid & Bracket Assy, 240V, Right
4	294-115-474	110V Vac Motor & Bracket Assembly
4A	294-115-475	220V Vac Motor & Bracket Assembly
5	SA-1129	Waste Tank Assembly
6	A-8307*	Waste Tank Seal, Thick
6A	294-002-547*	Waste Tank Seal, Thin
7	294-115-233	Waste Tank Guard Assembly
8	294-115-113	Vacuum Hose Assembly
9	01-063	Washer, 5/16, Split
10	834-557-002	Nut, Hex, 5/16-18, Jam
11	951-148-008	Washer, ¼, Split, Black
12	809-849-125	Screw, Hex, ¼-20 x ¾
13	01-030	Washer, #10, Flat
14	838-740-002	Nut, Hex, 10-32, Nylon Locking
15	04-120	Waste Tank Hose Clamp
16	948-753-101	Washer, ¼, Flat, Black
17	809-849-100	Screw, Hex, ¼-20 x 5/8, Black
18	01-038	Clevis Pin, 3/16 x 1-1/2
19	01-080	Cotter Pin, 1/16 x 1/2

* Item 6 is for all 110-volt machines plus 220-volt machines with serial numbers below 200910120004. Item 6A is for 220-volt machines with serial numbers of 200910120004 and higher.