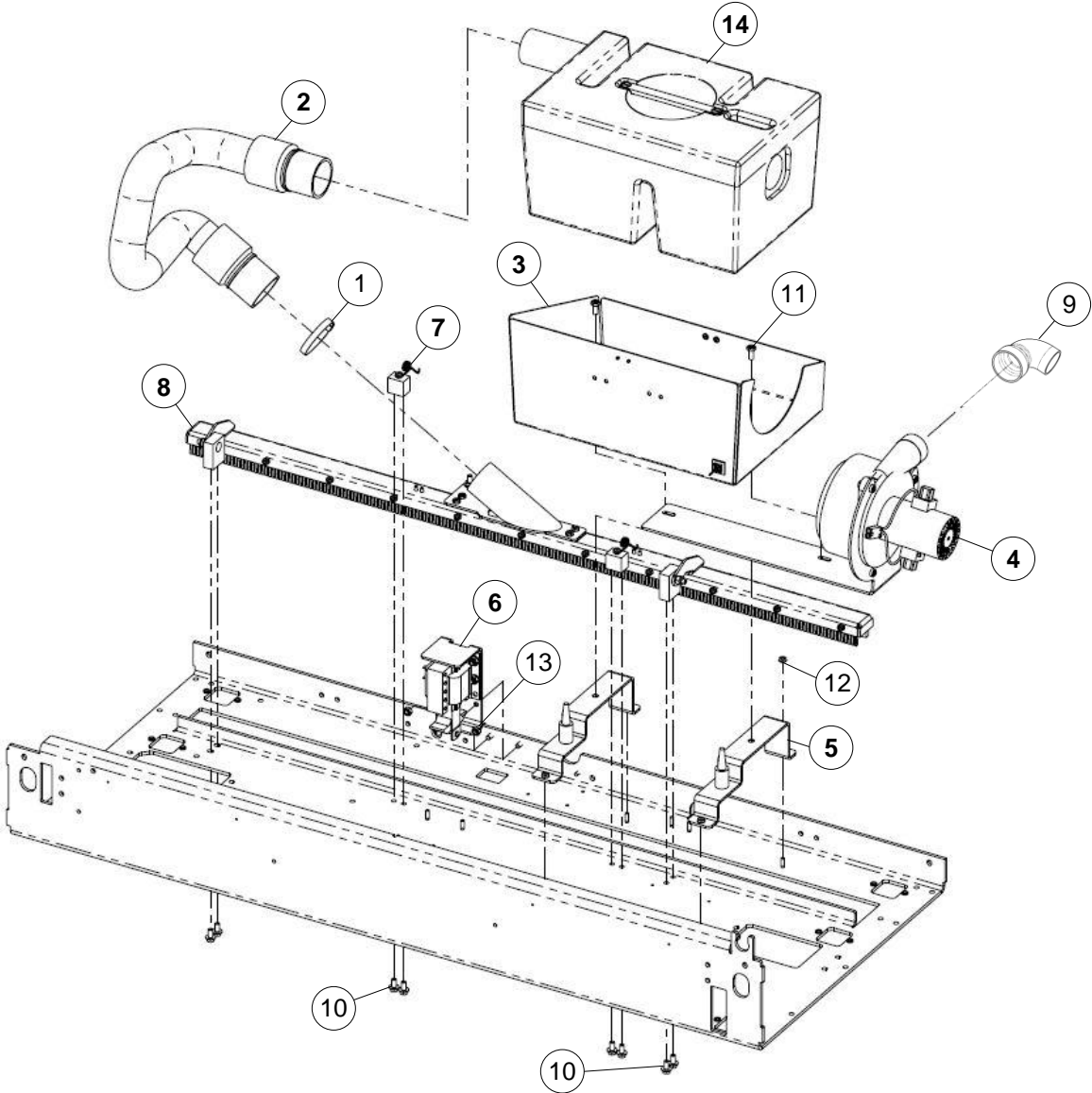


### Vacuum System



## Vacuum System

	NUMBER	DESCRIPTION
1	04-120	HOSE CLAMP
2	294-115-113	VAC HOSE ASM
3	294-115-233	WASTE TANK GUARD ASM
4	294-116-031 294-116-032	VAC MOTOR & BRACKET ASM, 110V VAC MOTOR & BRACKET ASM, 220V
5	294-116-043	TANK SUPPORT ASM
6	294-116-125 294-116-124	VAC SOLENOID ASM, 110V VAC SOLENOID ASM, 220V
7	294-116-128	VAC HEAD TENSIONER ASM

	NUMBER	DESCRIPTION
8	294-116-147	VAC HEAD ASM
9	294-116-148	EXHAUST DIVERTER
10	801-749-081	SCREW, FLANGE HEAD HEX, 1/4-20 X 1/2
11	809-849-100	SCREW, HEX, 1/4-20 X 5/8
12	843-140-002	NUT, KEPS, 10-32
13	844-049-002	NUT, STOVER LOCK, 1/4-20
14	SA-1129	WASTE TANK ASM