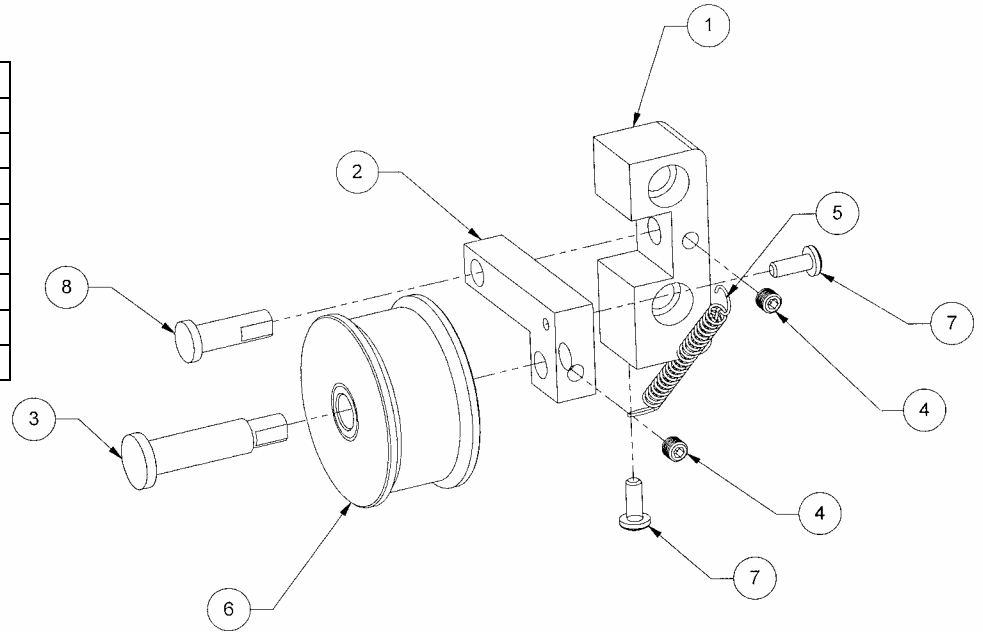


**294-115-139 Belt Tensioner**

	NUMBER	DESCRIPTION
1	294-115-140	Belt Tensioner Mount
2	294-115-204	Idler Pivot Arm
3	A-5556	Roller Pin
4	01-029	Setscrew, #10-32 X 3/16, Hex Socket, Cup Point, Black
5	A-5558	Idler Spring
6	SA-6534	Tension Pulley Assembly
7	01-001	Screw, #6-32 X 3/8, Phillips, Round Head, Zinc
8	A-5557	Pivot Arm Pin



**294-115-038 Buffer Motor Assembly 110 Volts**  
**294-002-270 Buffer Motor Assembly 240 Volts**

	NUMBER	DESCRIPTION
1a	294-115-038	Buffer Motor Assembly 110 Volts (includes # 2 and # 3)
1b	294-002-270	Buffer Motor Assembly 240 Volts (includes # 2 and # 3)
2	A-0425	Pulley Modification
3	01-041	Setscrew: 1/4-20 X 1/4, Hex Socket , Cup Point

