

MOTOR BRK'T. ASSEMBLY

ITEM	PART NUMBER	DESCRIPTION
1	070-002-084	Motor Mount Brk't. Weld. - R.H. Front
1a	070-002-214	Motor Mount Brk't. Weld. - L.H. Front (Not Shown)
2	070-002-074	Motor Mount Brk't. Weld. - R.H. Rear
2a	070-002-212	Motor Mount Brk't. Weld. - L.H. Rear (Not Shown)
3	000-029-624	Shock Mount Bracket
4	000-026-043	Micro Switch
5	000-022-296	Insulator
6	000-022-828	Switch Bracket
7	000-023-621	SW. Lever Ass'y.
8	000-023-625	SW. Lever Bumper
9	000-021-431	Spring
10	000-022-821	Pin
11	963-600-002	"X" Washer - 9000-16
*12	000-028-036	Shim
13	000-021-992	Bumpe
14	724-501-072	Tinnerinan Clip - #C-45065-017-4
15	070-011-250	SW. Protection Bracket
16	809-849-125	Hx. Hd. Cap Scr. - 1/4-20 x 3/4
17	844-049-002	Stover Nut - 1/4-20
18	818-227-202	Rd. Hd. Sems Scr. - #6-32 x 1 1/4
19	839-527-002	FlexLoc Nut - #21FA-632
20	070-002-004	Belt Tightener Arm Ass'y. - R.H.
20a	070-002-216	Belt Tightener Arm Ass'y. - L.H. (Not Shown)
21	070-002-007	Belt Tightener Pulley Ass'y.
22	070-002-094	Pulley
23	900-208-161	Flanged Bearing
24	900-108-141	Sleeve Bearing
25	913-437-160	Roll Pin - .187 x 1
26	070-002-012	Pivot Shaft
27	807-357-080	Soc. Set Scr. Kn. Cup Pt. - 5/16-18 x 1/2
28	070-002-010	Drip Pan
29	000-023-758	Gasket
30	000-022-172	Back End Drive Sheave
31	000-023-673	Pin Elevator Sheave
32	807-358-060	Soc. Set Scr. Kn. Cp. Pt. 5/16-24 x 3/8
33	809-857-205	Hx. Hd. Cap Scr. - 5/16-18 x 1 1/4
34	844-057-002	Stover Nut - 5/16-18
35	809-857-125	Hx. Hd. Cap Scr. - 5/16-18 x 3/4
**36	070-001-284	Housing & Receptacle Ass'y.
37	000-025-590	Receptacle Housing
38	000-025-906	Male Receptacle
39	823-126-062	Rd. Hd. Type A Scr. - #6 x 3/8
40	760-015-038	Fl. Spade Terminal - #41473 (Not Shown)
41	010-101-300	#16 Ga. - 600V Wire - Black (Not Shown)
42	010-101-309	#16 Ga. - 600V Wire - White (Not Shown)
50	000-029-601	Spring (Not Shown)

NEW BACKEND MOTOR & RECEPTACLE ASSEMBLIES

43	610-704-043	R.H. Westinghouse 60 Hz.
43a	610-704-042	L.H. Westinghouse 60 Hz.
44	070-007-693	R.H. National 60 Hz.
44a	070-007-694	L.H. National 60 Hz.

***MOTOR EXCHANGE PROGRAM (DOMESTIC) BACKEND MOTOR & RECEPTACLE ASSEMBLY

Customer Returns
Used Motor #

AMF Ships To Customer
Rebuilt Motor#
(90 Day Warranty)

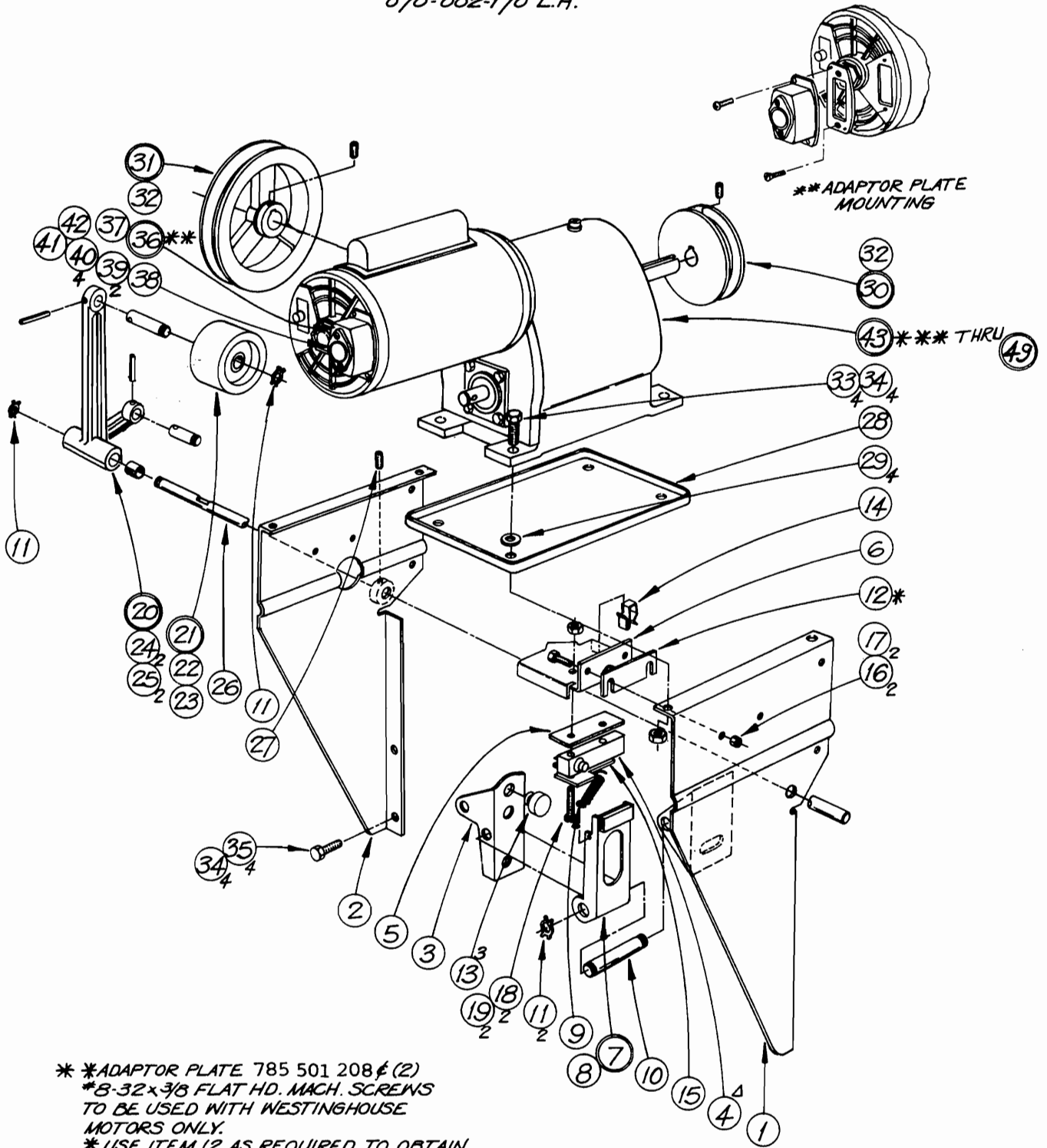
ITEM	PART NUMBER	DESCRIPTION	
45	630-704-043	R.H. Westinghouse 60 Hz.	620-704-043
45a	630-704-042	L.H. Westinghouse 60 Hz.	620-704-042
46	530-706-208	R.H. General Electric 60 Hz.	520-706-208
46a	530-706-207	L.H. General Electric 60 Hz.	520-706-207
47	530-707-693	R.H. National 60 Hz.	520-707-693
47a	530-707-694	L.H. National 60 Hz.	520-707-694

INTERNATIONAL DIVISION MOTORS (NEW)

48	070-004-036	R.H. Westinghouse 115/230V-50 Hz.
48a	070-004-037	L.H. Westinghouse 115/230V-50 Hz.
49	070-007-691	R.H. National 115V-50 Hz.
49a	070-007-692	L.H. National 115V-50 Hz.

***International Division Customers Contact Your Area A.M.F. Inc.
Service Depot For Part Numbers And Details Of Exchange Program.***

MOTOR MOUNT BRKT. ASSY.- BACK END ASS'Y.
 REF. DWGS: 070-001-414 R.H. (SHOWN)
 070-002-170 L.H.



- * * ADAPTOR PLATE 785 501 208 ϕ (2)
- * 8-32 x 3/8 FLAT HD. MACH. SCREWS TO BE USED WITH WESTINGHOUSE MOTORS ONLY.
- * USE ITEM 12 AS REQUIRED TO OBTAIN A GAP OF .79 IN. (2.39 mm.) BETWEEN ITEM 7 ϕ ITEM 3.
- Δ REMOVE N.O. CONTACT BEFORE MOUNTING.