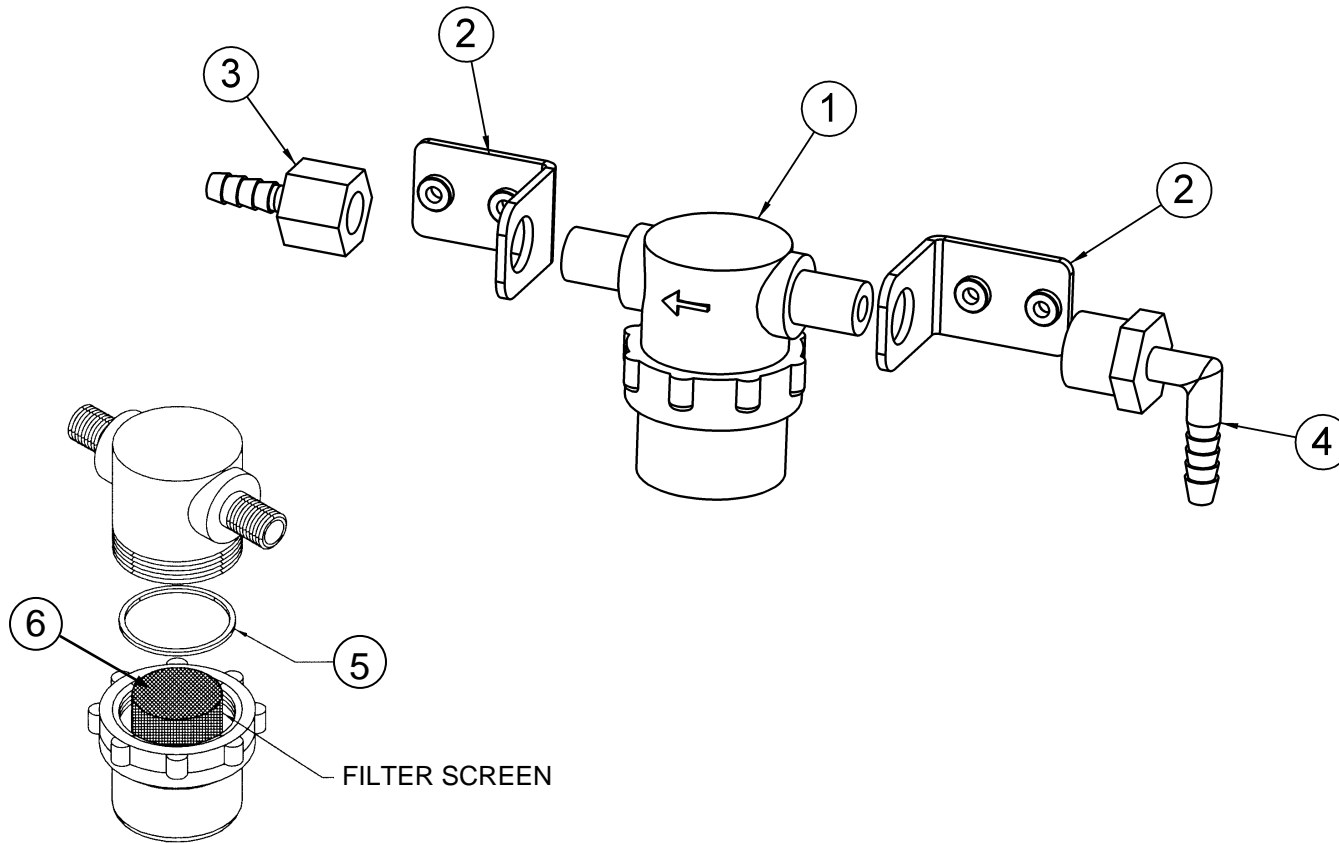


FILTER MOUNT ASSEMBLY



FILTER MOUNT ASSEMBLY

	PART NO.	DESCRIPTION	QTY
1	04-322	FILTER BOWL ASSEMBLY	1
2	294-115-675	FILTER MOUNTING BRACKET ASSEMBLY	2
3	04-398	FITTING, ¼ NPT FEMALE X ¼ ID TUBE BARB	1
4	294-115-455	FITTING, ¼ NPT FEMALE X ¼ ID TUBE BARB, 90 DEGREE	1
5	04-453	O-RING, VITON	1
6	04-322-1	FILTER SCREEN	1