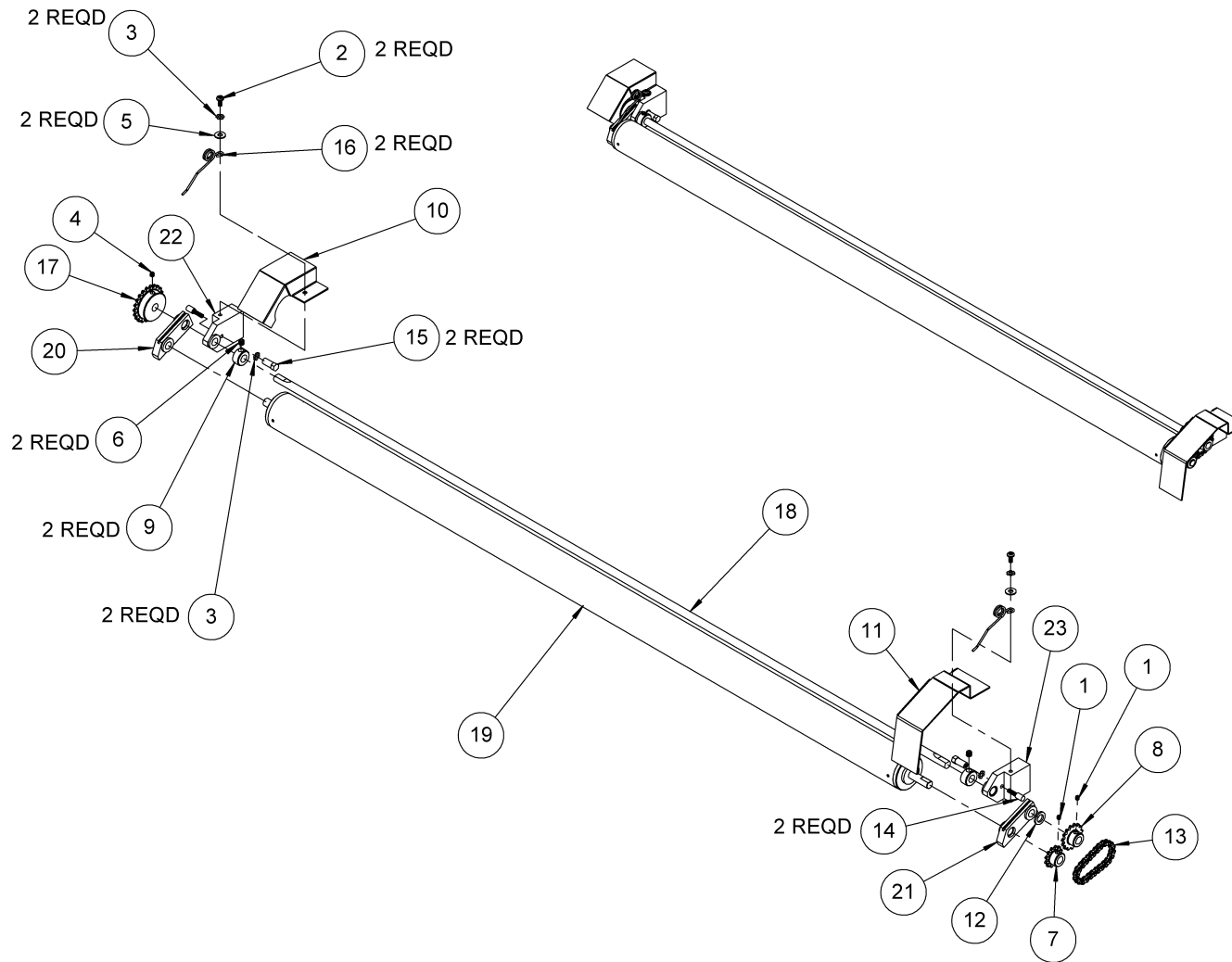


294-002-070
TRANSFER ROLLER ASSEMBLY



294-002-070**TRANSFER ROLLER ASSEMBLY**

	PART NO.	DESCRIPTION	QTY
1	01-006	SET SCREW, 8-32 X 3/16 HEX SOCKET HEAD, CUP POINT	2
2	01-009	SCREW, 8-32 X 3/8 PAN HEAD	2
3	951-632-060	LOCK WASHER, #8 EXTERNAL TOOTH	4
4	01-098	SET SCREW, 10-32 X 3/8 HEX SOCKET HEAD, CUP POINT	1
5	01-109	FLAT WASHER, #8 USS	2
6	01-586	SET SCREW, 1/4-20 X 3/16 HEX SOCKET HEAD, CUP POINT	2
7	03-001	SPROCKET, #25 CHAIN, 12 TOOTH, 3/8 BORE	1
8	03-007	SPROCKET, #25 CHAIN, 15 TOOTH, 3/8 BORE	1
9	04-015	SET SCREW COLLAR	2
10	294-002-148	TRANSFER ROLLER GUARD	1
11	294-002-149	BUFFER BELT GUARD	1
12	A-0036	ROLLER DRIVE SHAFT WASHER	1
13	A-0071	ROLLER CHAIN	1
14	A-0463	POSITIVE STOP SCREW	2
15	A-0464	POSITIVE STOP NUT	2
16	A-0583	ROLLER SPRING	2
17	A-0951	SPROCKET MODIFICATION	1
18	B-0063	ROLLER DRIVE SHAFT	1
19	SA-0296	ROLLER ASSEMBLY	1
20	SA-1023L	ROLLER SUPPORT ARM ASSEMBLY, LEFT	1
21	SA-1023R	ROLLER SUPPORT ARM ASSEMBLY, RIGHT	1
22	SA-3023L	ROLLER DRIVE SHAFT SUPPORT ARM ASSEMBLY, LEFT	1
23	SA-3023R	ROLLER DRIVE SHAFT SUPPORT ARM ASSEMBLY, RIGHT	1