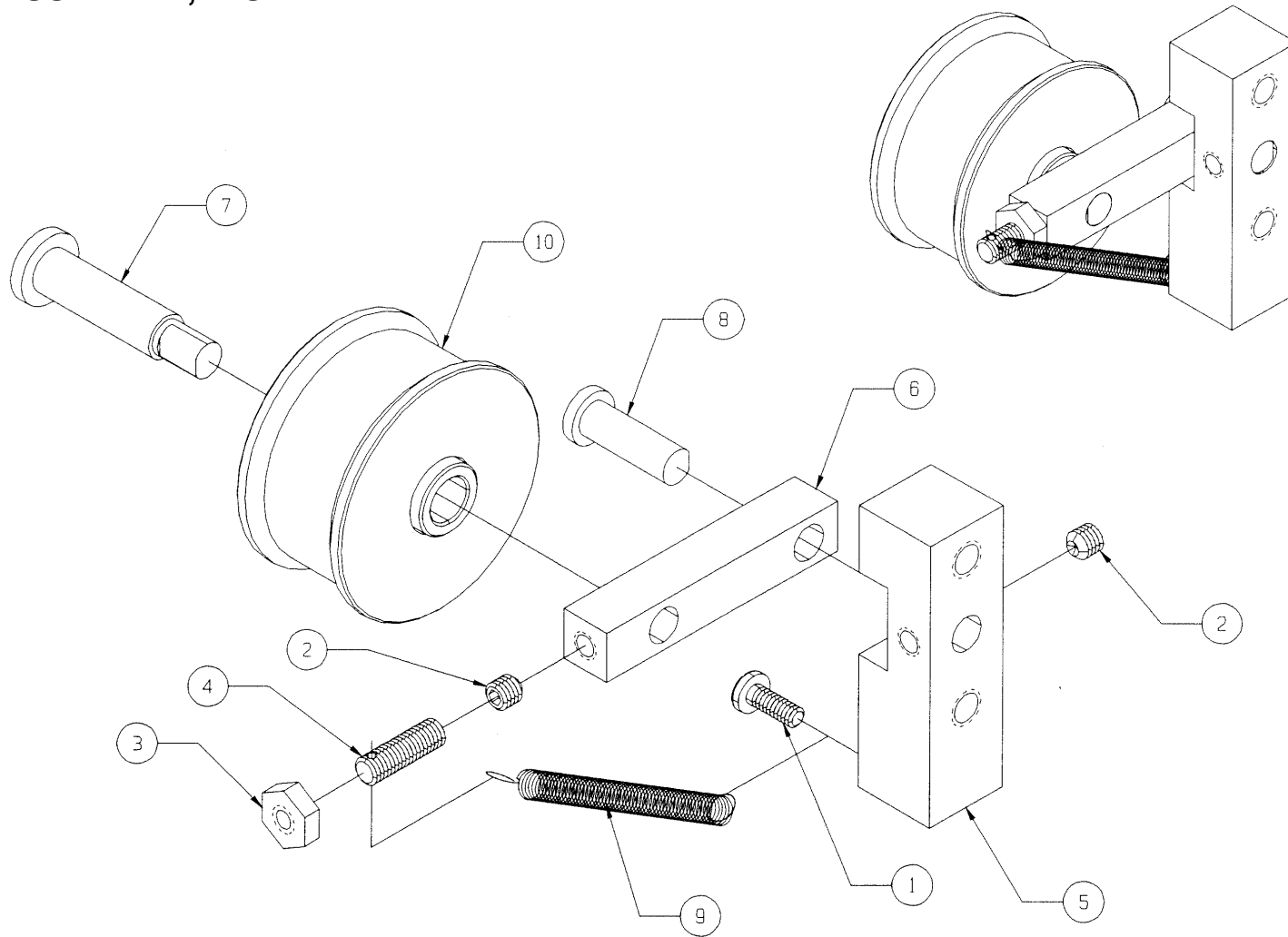


**SA-6516R
IDLER ASSEMBLY, RIGHT**



**SA-6516R
IDLER ASSEMBLY, RIGHT**

	PART NO.	DESCRIPTION	QTY
1	01-001	SCREW, 6-32 X 3/8 ROUND HEAD	1
2	01-029	SET SCREW, 10-32 X 3/16 HEX SOCKET HEAD, CUP POINT	2
3	835-540-002	NUT, 10-32	1
4	A-5061	SOLVENT TUBE SPRING BOLT	1
5	A-5554	IDLER MOUNT BRACKET	1
6	A-5555	IDLER PIVOT ARM	1
7	A-5556	ROLLER PIN	1
8	A-5557	PIVOT ARM PIN	1
9	A-5558	IDLER SPRING	1
10	SA-6534	TENSION PULLEY ASSEMBLY	1