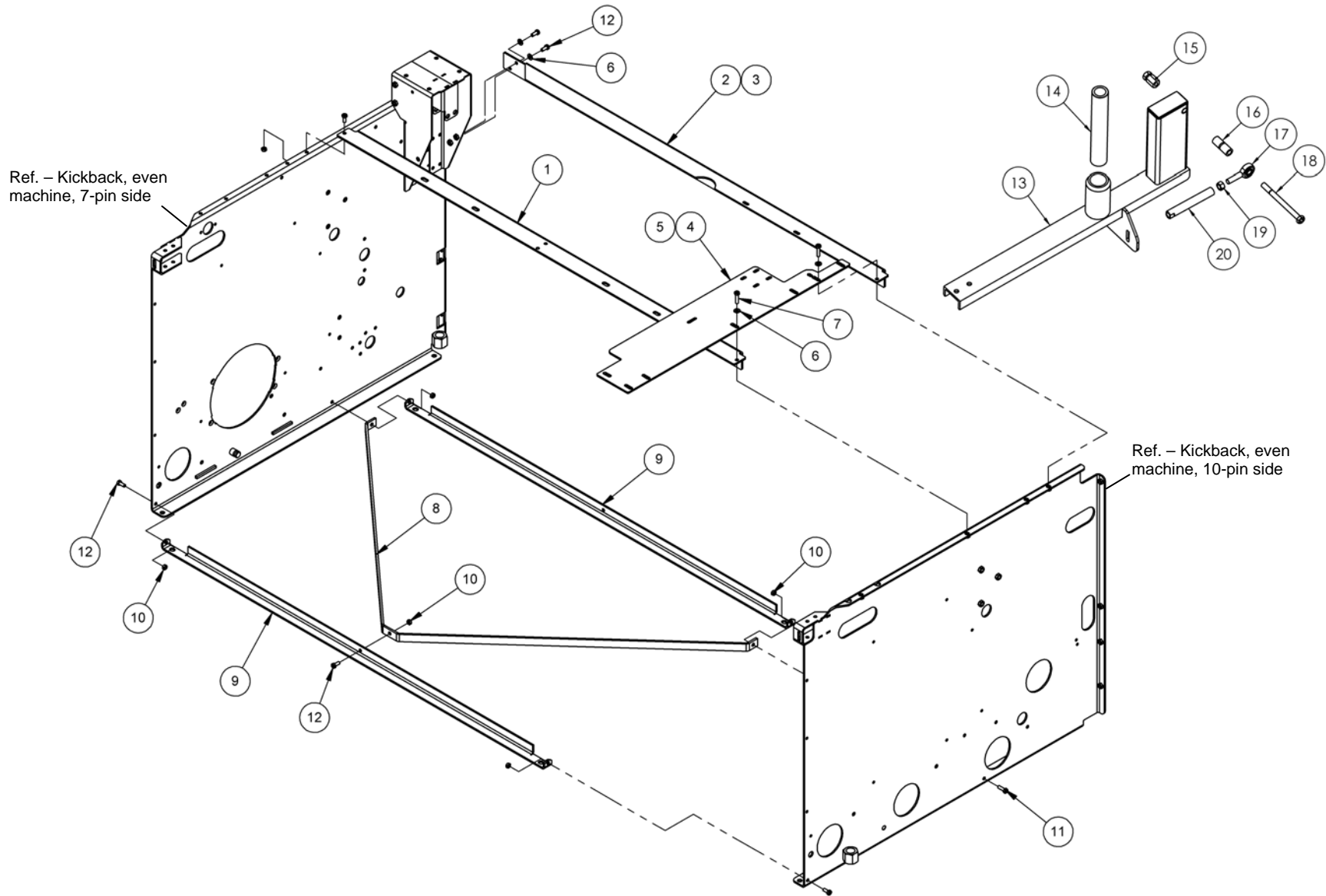


BACK END ASSEMBLY





BACK END ASSEMBLY

ITEM	QTY	PART #	DESCRIPTION
1	1	070-007-359	DISTRIBUTOR SUPPORT BRACKET
2	1	088-001-520	DISTRIBUTOR SUPPORT, EVEN MACHINE
3	1	088-001-521	DISTRIBUTOR SUPPORT, ODD MACHINE
4	1	088-200-059	TREAD PLATE, EVEN MACHINE
5	1	088-200-060	TREAD PLATE, ODD MACHINE
6	4	948-761-112	FLAT WASHER, 5/16 SAE
7	3	809-857-205	SCREW, HEX, 5/16 -18 X 1-1/4
8	1	070-001-185	BRACE
9	2	070-001-184	STRAP WELDMENT
10	6	844-057-002	NUT, STOVER LOCK, 5/16 -18
11	2	809-857-165	SCREW, HEX, 5/16 -18 X 1
12	6	809-857-125	SCREW, HEX, 5/16 -18 X 3/4
13	1	088-002-522	DISTRIBUTOR SUPPORT WELDMENT
14	1	070-006-045	DISTRIBUTOR SUPPORT POST
15	1	070-006-044	SPRING POST NUT, 3/8-16
16	1	070-006-043	SPACER
17	1	809-865-725	SCREW, HEX, 3/8-16 X 4-1/2
18	1	090-005-256	ROD END, MALE, 3/8
19	1	831-566-002	NUT, HEX, 3/8-24
20	1	070-006-047	SAFETY LINK TUBING

ITEM	QTY	PART #	DESCRIPTION
------	-----	--------	-------------