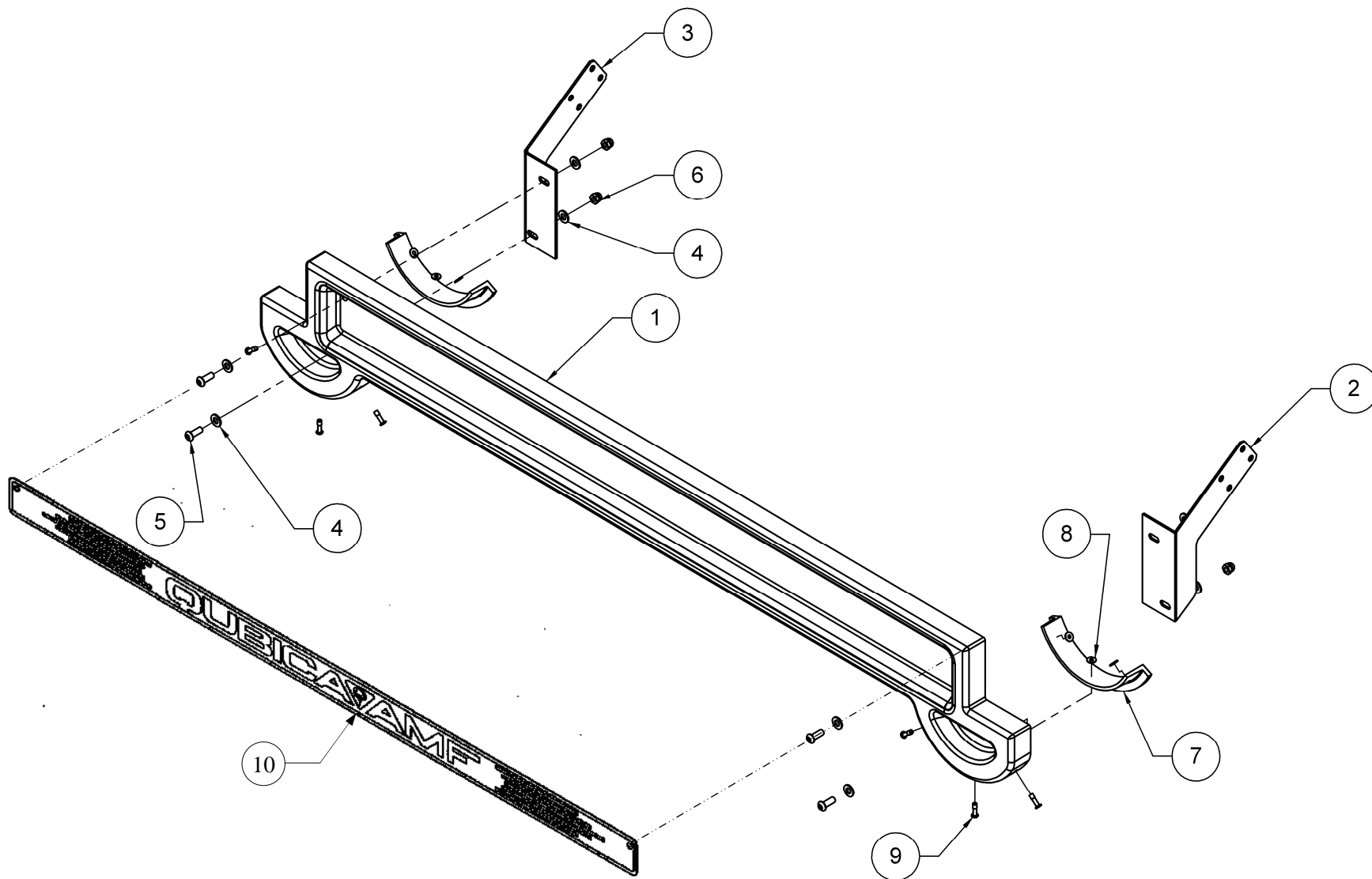


# SWEEP BAR & MOUNTING ASSEMBLY





## SWEEP BAR & MOUNTING ASSEMBLY

ITEM	QTY	PART #	DESCRIPTION
1	1	300-000-165	SWEEP BAR
2	1	090-006-130	SWEEP MOUNTING BRACKET, 10-PIN SIDE
3	1	090-006-129	SWEEP MOUNTING BRACKET, 7-PIN SIDE
4	8	948-722-111	WASHER, FLAT, 11/16 X 11/32 X 1/16
5	4	808-557-140	SCREW, BUTTON HEAD, 5/16 - 18 X 7/8
6	4	830-057-002	NUT, ACORN, 5/16 - 18
7	2	300-000-175	SWEEP BAR CAP
8	6	948-637-072	WASHER, 3/16, POP RIVET BACKUP
9	6	938-637-100	RIVET, 3/16, ALUMINUM
10	1	088-001-089	SWEEP DECAL

ITEM	QTY	PART #	DESCRIPTION
------	-----	--------	-------------