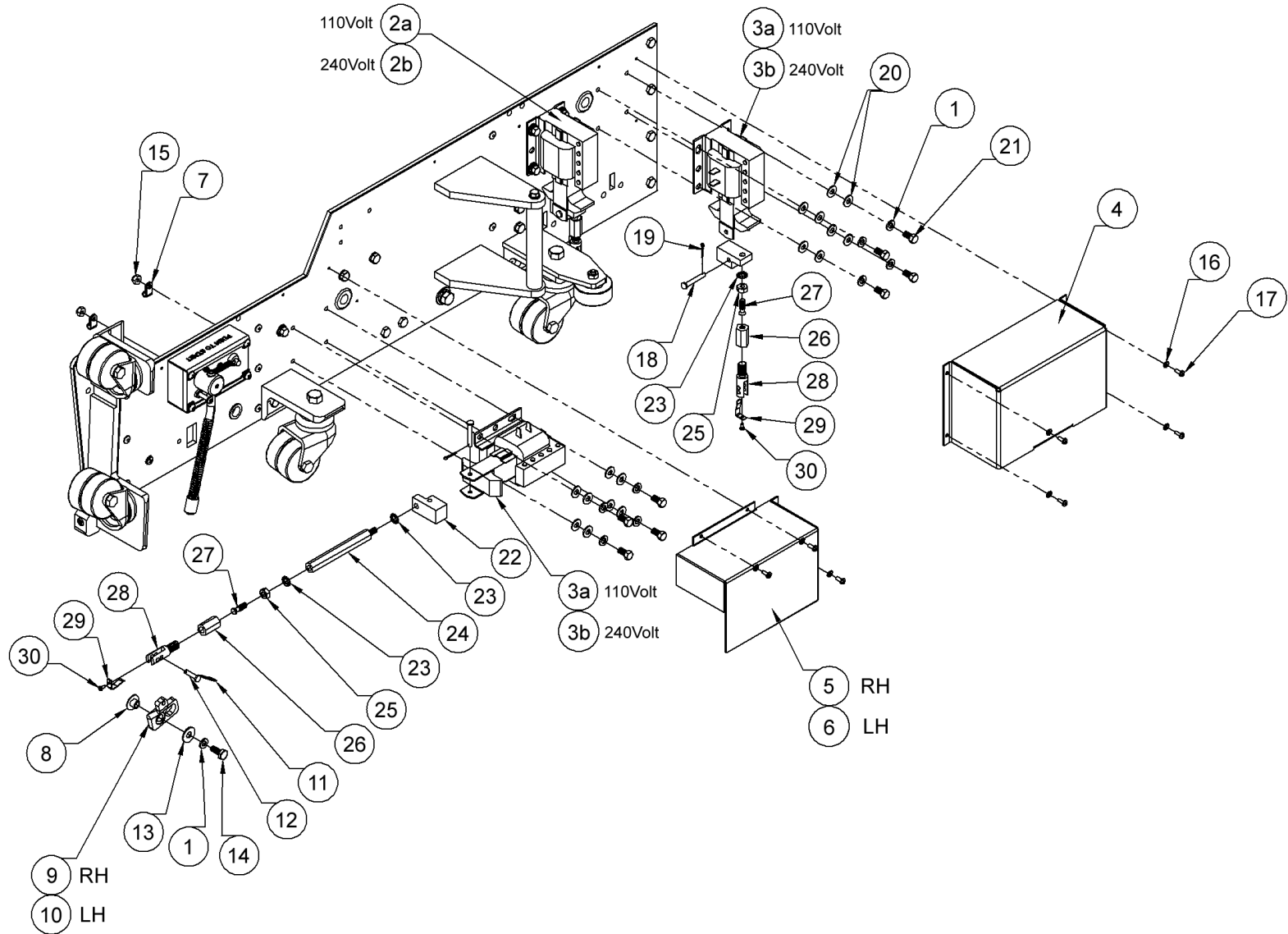


FRAME ASSEMBLY – SIDE PLATE



FRAME ASSEMBLY – SIDE PLATE

	PART NO.	DESCRIPTION
1	01-054	WASHER, 1/4, SPLIT, ZINC
2a	294-002-032	SOLENOID, 110V, 3000 SERIES, RH TERMINALS, 60 Hz
2b	294-002-275	SOLENOID, 240V, 3000 SERIES, RH TERMINALS, 50 Hz
3a	294-002-033	SOLENOID, 110V, 3000 SERIES, LH TERMINALS, 60 Hz
3b	294-002-274	SOLENOID, 240V, 3000 SERIES, LH TERMINALS, 50 Hz
4	294-002-433	VACUUM SOLENOID COVER
5	294-002-432	OIL SOLENOID COVER, RIGHT SIDE
6	294-002-434	OIL SOLENOID COVER, LEFT SIDE
7	02-008	PLASTIC WIRE TIE, 3/16
8	A-4041	PRESSURE LINKAGE PIVOT
9	A-4044	PRESSURE LINKAGE - RIGHT
10	A-4045	PRESSURE LINKAGE - LEFT
11	01-040	PIN, 3/64 X 9/16, HAIR CLIP, ZINC
12	01-215	PIN, 3/16 X .75, CLEVIS
13	01-056	WASHER, 1/4 USS, FLAT, ZINC
14	01-044	SCREW, 1/4-20 X 5/8, HEX HEAD
15	01-031	NUT, #10-32, HEX, NYLON LOCK, ZINC
16	01-005	WASHER, #6, EXT TOOTH LOCK, ZINC
17	01-001	SCREW, #6-32 X 3/8, PHIL, ROUND HEAD, ZINC
18	01-495	PIN, 3/16 X 1 1/4, CLEVIS
19	01-080	PIN, 1/16 X 1/2, COTTER, ZINC
20	01-036	WASHER, 3/16, USS, FLAT
21	01-115	SCREW, 1/4-20 X 1/2, HEX HEAD, ZINC
22	A-8328	SOLENOID LINKAGE BLOCK
23	01-053	WASHER, 1/4, EXT TOOTH LOCK
24	A-0344	BUFFER LINKAGE EXTENSION
25	01-214	NUT, 1/4-28, HEX MACHINE NUT, STEEL, PLATED
26	A-4036	PRESSURE ADJ NUT
27	A-4037	PRESSURE ADJ SWIVEL
28	A-4038	PRESSURE LINKAGE ROD
29	A-4055	DETENT SPRING
30	01-135	SCREW, #4 X 1/4, PAN HEAD SCREW, PHIL