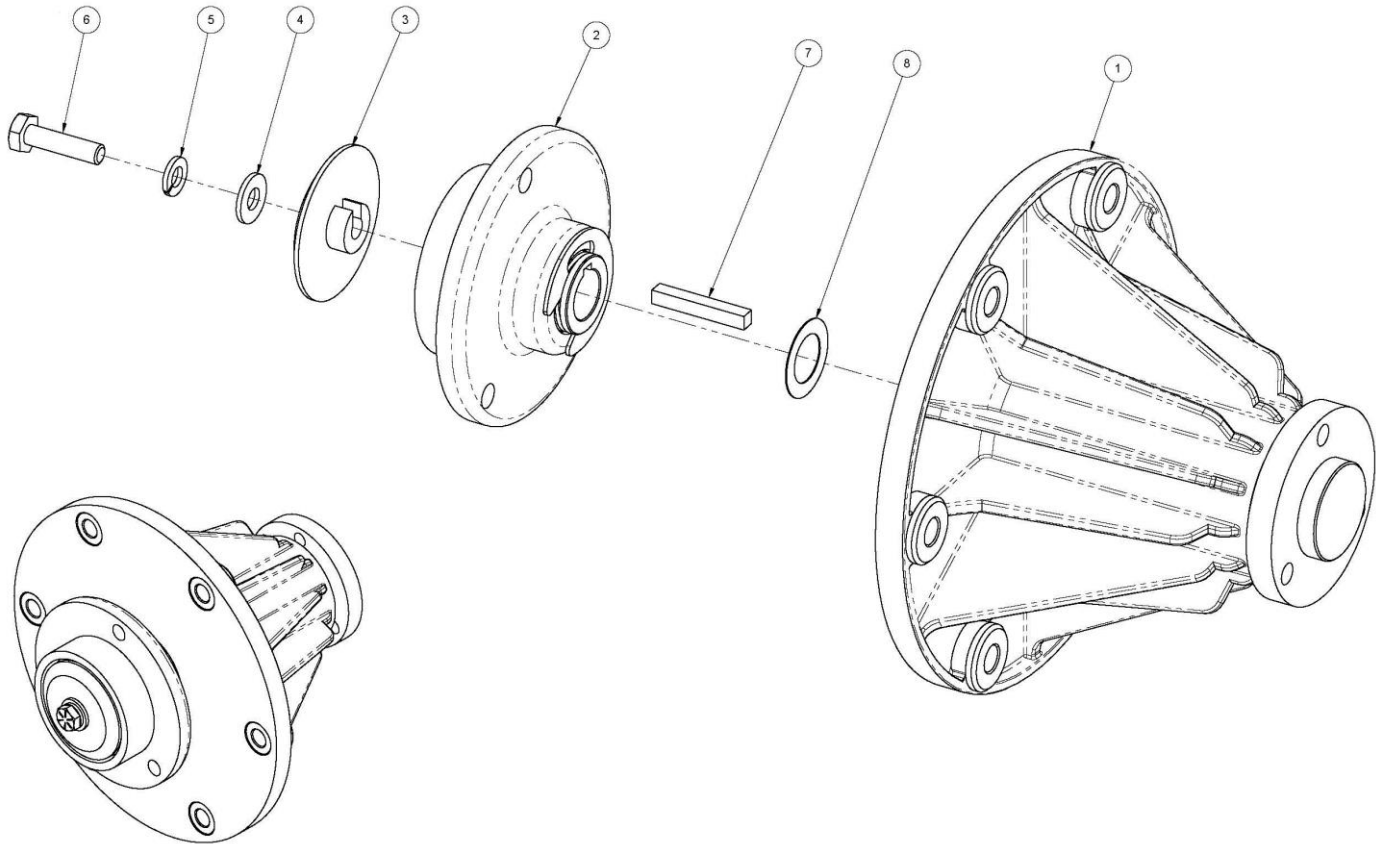




## PARTS



\* Apply thread locker (700-107-010) to threads of screw, tighten to 150 in-lbs. Thread locker must not get between clutch sleeve and shaft.

### 254-001-396, Lower Shaft Assembly

Item	Part No.	Description	Qty
1	250-001-128	Plastic Bell Housing	1
2	250-001-008	Clutch Housing Assembly	1
3	250-001-231	Clutch Cover	1
4	948-753-101	FW 1/4 SAE BO	1
5	951-148-002	SWM 1/4 ANSI ZN	1
6	809-849-165	HHCS 1/4-20 X 1.00 GR8 BO	1
7	250-001-244	Shaft Key	1
8	948-680-160	FW 0.63 X 1.00 X 0.015 NS	1