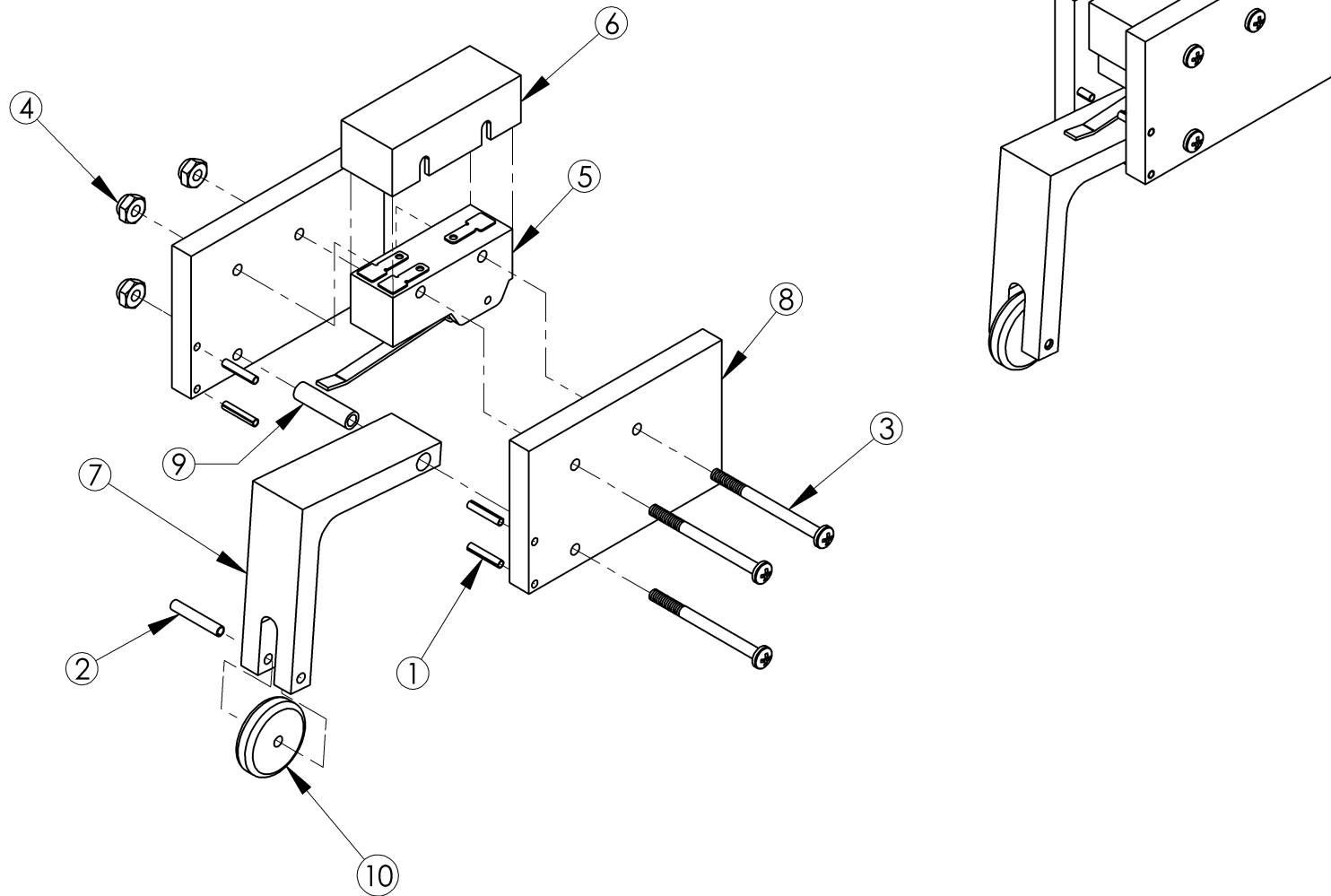


**294-002-136
TRIP ARM ASSEMBLY**



294-002-136
TRIP ARM ASSEMBLY

PART NO.	DESCRIPTION	QTY	
1	01-077	ROLL PIN, 3/32 X 1/2	4
2	01-078	ROLL PIN, 1/8 X 3/4	1
3	01-195	SCREW, 6-32 X 1 3/4 ROUND HEAD	3
4	01-416	LOCK NUT, 6-32 NYLON INSERT	3
5	02-023	SWITCH	1
6	02-067	PLASTIC ENCLOSURE	1
7	294-002-134	TRIP ARM	1
8	A-0353	TRIP ARM MOUNT	2
9	A-0355	TRIP ARM SPACER	1
10	A-0356	TRIP ARM WHEEL	1