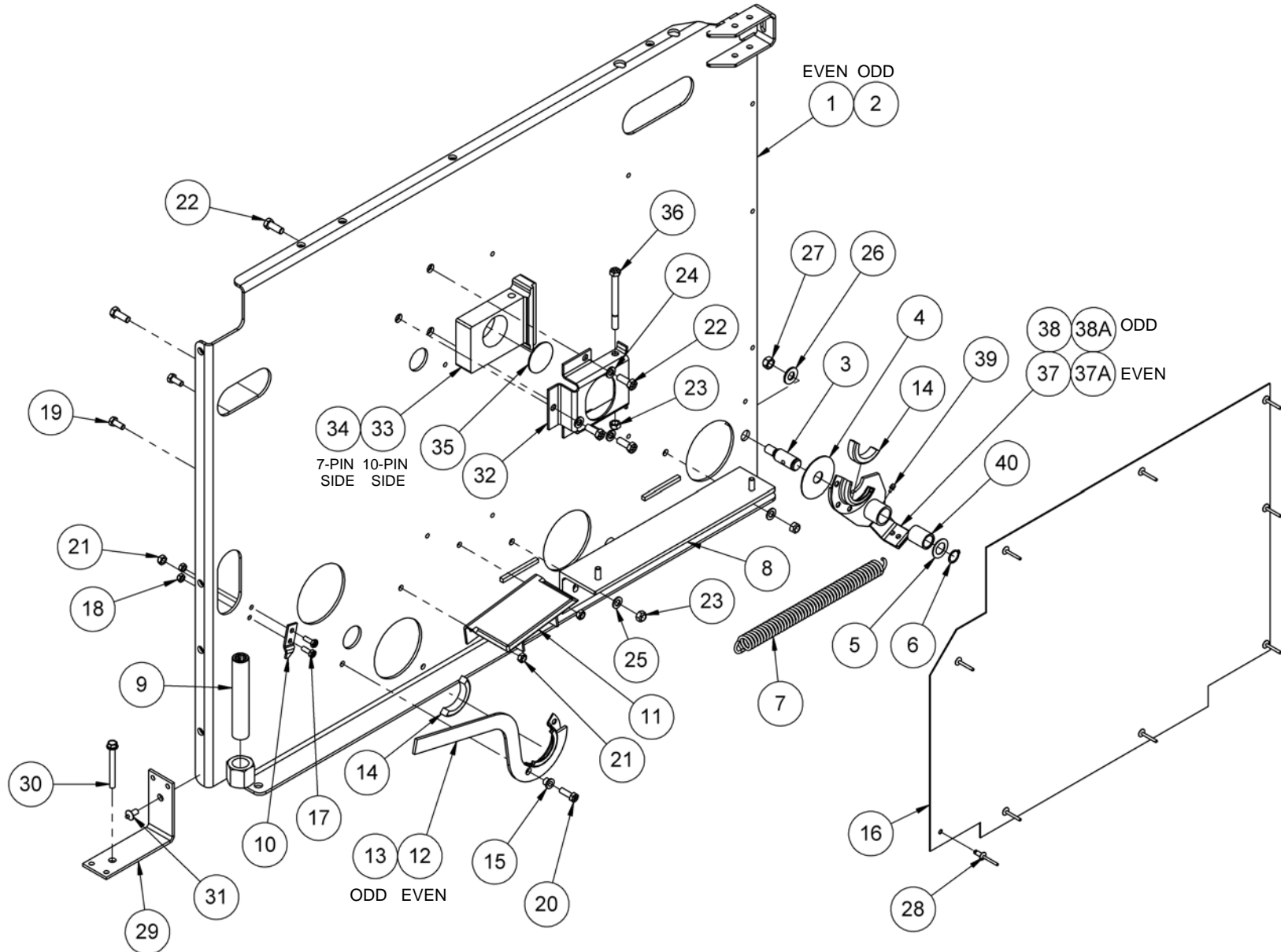


KICKBACK PLATE ASSEMBLY- SIDE OPPOSITE BALL EXIT





KICKBACK PLATE ASSEMBLY– SIDE OPPOSITE BALL EXIT

ITEM	QTY	PART #	DESCRIPTION
1	1	088-001-594	KICKBACK WELDMENT 10-PIN SIDE, EVEN MACHINE
2	1	088-001-595	KICKBACK WELDMENT 7-PIN SIDE, ODD MACHINE
3	1	000-029-015	PIVOT STUD
4	1	000-027-641	THRUST BEARING
5	1	000-027-642	FLAT WASHER, .75 X 1¼ X .0478
6	1	919-005-800	RETAINING RING
7	1	000-021-204	SPRING
8	1	090-004-131	PIT SUPPORT BRACKET
9	2	000-024-890	SETSCREW (JACK SCREW)
10	1	000-023-468	BRACKET
11	1	000-022-878	ANGLE
12	1	000-023-465	SUPPORT WELDMENT, EVEN MACHINE
13	1	000-023-464	SUPPORT WELDMENT, ODD MACHINE
14	2	000-022-924	BEARING SUPPORT
15	1	000-023-467	FLANGED BEARING, .314 X .434 X .310
16	1	070-002-027	KICKBACK PANEL
17	2	809-849-125	SCREW, HEX, ¼ - 20 X ¾
18	2	844-049-002	NUT, STOVER LOCK, ¼ - 20
19	2	809-857-125	SCREW, HEX, 5/16 - 18 X ¾
20	1	809-857-165	SCREW HEX, 5/16 - 18 X 1
21	3	844-057-002	NUT, STOVER LOCK, 5/16 - 18
22	5	809-865-165	SCREW, HEX, 3/8 - 16 X 1
23	3	844-065-002	NUT, STOVER LOCK, 3/8 - 16
24	3	951-164-002	WASHER, SPLIT LOCK, 3/8
25	2	948-767-132	WASHER
26	1	948-975-172	WASHER, FLAT, .53 x 1.06 x .10
27	1	844-074-002	NUT, STOVER LOCK, 1/2 - 20
28	9	938-648-010	RIVET, .25 X .48, AL
29	1	000-026-464	KICKBACK BRACKET
30	1	709-013-059	SCREWBOLT, HEX, 8 mm X 75 mm
31	1	937-738-003	RIVET, STEEL
32	1	000-022-788	BOX SUPPORT

ITEM	QTY	PART #	DESCRIPTION
33	1	000-022-794	BLOCK SUPPORT, 10-PIN SIDE
34	1	000-022-795	BLOCK SUPPORT, 7-PIN SIDE
35	1	000-022-300	SHIELD
36	1	809-865-645	SCREW, HEX, 3/8 - 16 X 4
37	1	000-021-044	BRACKET WELDMENT, 10-PIN SIDE, EVEN MACHINE
37A	1	000-027-646	BEARING ASSEMBLY., 10-PIN SIDE, EVEN MACHINE (includes: 14, 37, 39 & 40)
38	1	000-021-043	BRACKET WELDMENT, 7-PIN SIDE, ODD MACHINE
38A	1	000-027-645	BEARING ASSEMBLY., 7-PIN SIDE, ODD MACHINE (includes: 14, 38, 39 & 40)
39	1	710-501-009	GREASE FITTING
40	1	900-112-203	SLEEVE BEARING, .753 X 1-1/4
n/a	1	008-100-413	ADHESIVE apply between items (33&35 or 34&35as applicable)