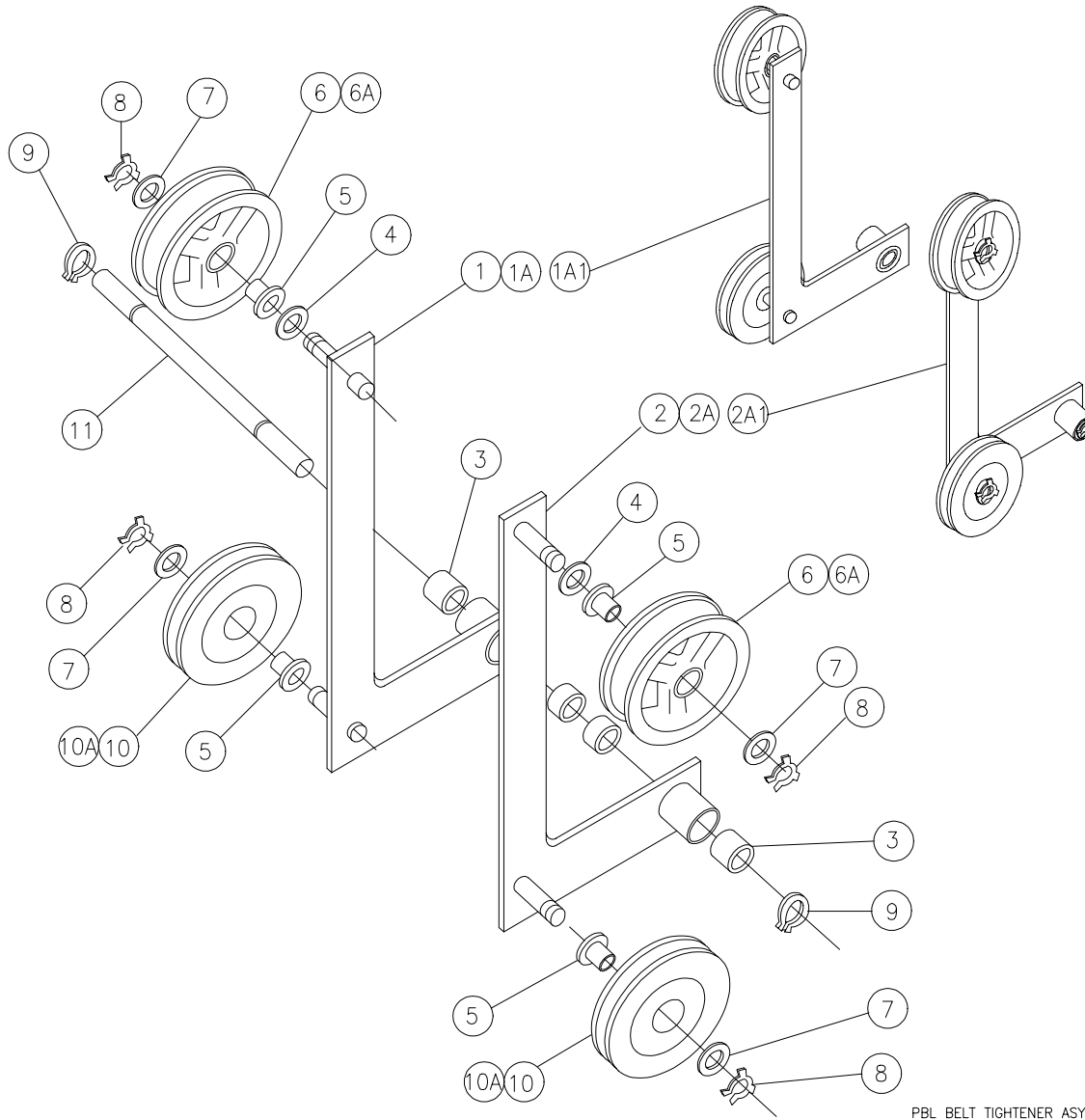


PBL BELT TIGHTENER ASSEMBLY



PBL BELT TIGHTENER ASY



PBL BELT TIGHTENER ASSEMBLY

ITEM	QTY	PART #	DESCRIPTION
1	1	070-011-531	ARM ASSY WELDMENT, L.H. MACHINE
1A	1	070-011-530	ARM ASSY, L.H. MACHINE (includes 1 & 3)
1A1	1	070-011-524	BELT TIGHTENER, L.H. MACHINE (includes 1, 3, 4, 5, 6, 7, 8, & 10)
2	1	070-011-528	ARM ASSY WELDMENT, R.H. MACHINE
2A	1	070-011-527	ARM ASSY, R.H. MACHINE (includes 2 & 3)
2A1	1	070-011-523	BELT TIGHTENER, R.H. MACHINE (includes 2, 3, 4, 5, 6, 7, 8, & 10)
3	4	900-112-121	SLEEVE BEARING, .753 X .75
4	2	701-316-041	THRUST BEARING, .51 X 1 X 1/16
5	4	900-208-161	FLANGED BEARING, .503 X .875
6	2	000-002-071	IDLER PULLEY
6A	2	000-021-408	IDLER PULLEY ASSY, (includes 5 & 6)
7	4	948-975-172	WASHER, FLAT, 1-1/16 X 17/32 X 3/32
8	4	963-600-002	X-WASHER, 1/4
9	2	919-005-800	RETAINING RING
10	2	070-011-526	IDLER SHEAVE
10A	2	070-011-525	IDLER SHEAVE ASSY (includes 5 & 10)
11	1	000-029-603	SHAFT

ITEM	QTY	PART #	DESCRIPTION
------	-----	--------	-------------