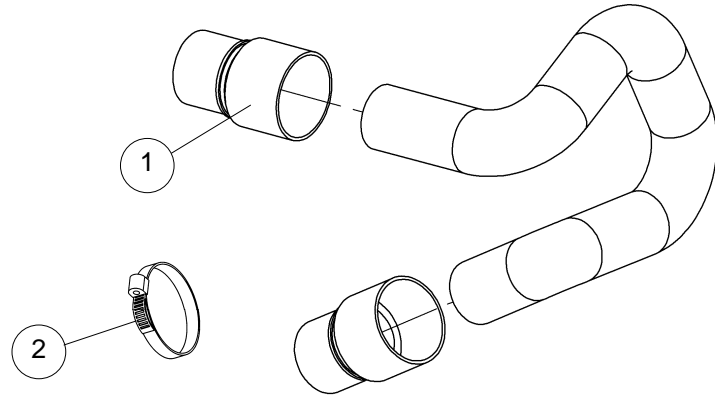


### Vacuum Hose Assembly & Clamp

	NUMBER	DESCRIPTION
1	04-150	Slip Adapter
2	04-120	Hose Clamp



### Vacuum Motor & Bracket Assembly

	NUMBER	DESCRIPTION
1	294-115-041	Vac Motor Bracket Assembly
2	294-115-727	110-Volt Vac Motor Assembly
2a	294-115-728	220-Volt Vac Motor Assembly
3	01-056	Washer, ¼ Flat
4	01-054	Washer, ¼, Split
5	809-849-125	Screw, Hex, ¼-20 x ¾, Black
6	A-8307*	Waste Tank Seal, Thick
6a	294-002-547*	Waste Tank Seal, Thin
7	760-019-223	Crimp Terminal, Female, 14-20 AWG
8	746-013-498	Molex Connector

\* Item 6 is for all 110-volt machines plus 220-volt machines with serial numbers below 200910120004. Item 6a is for 220-volt machines with serial numbers of 200910120004 and higher.

