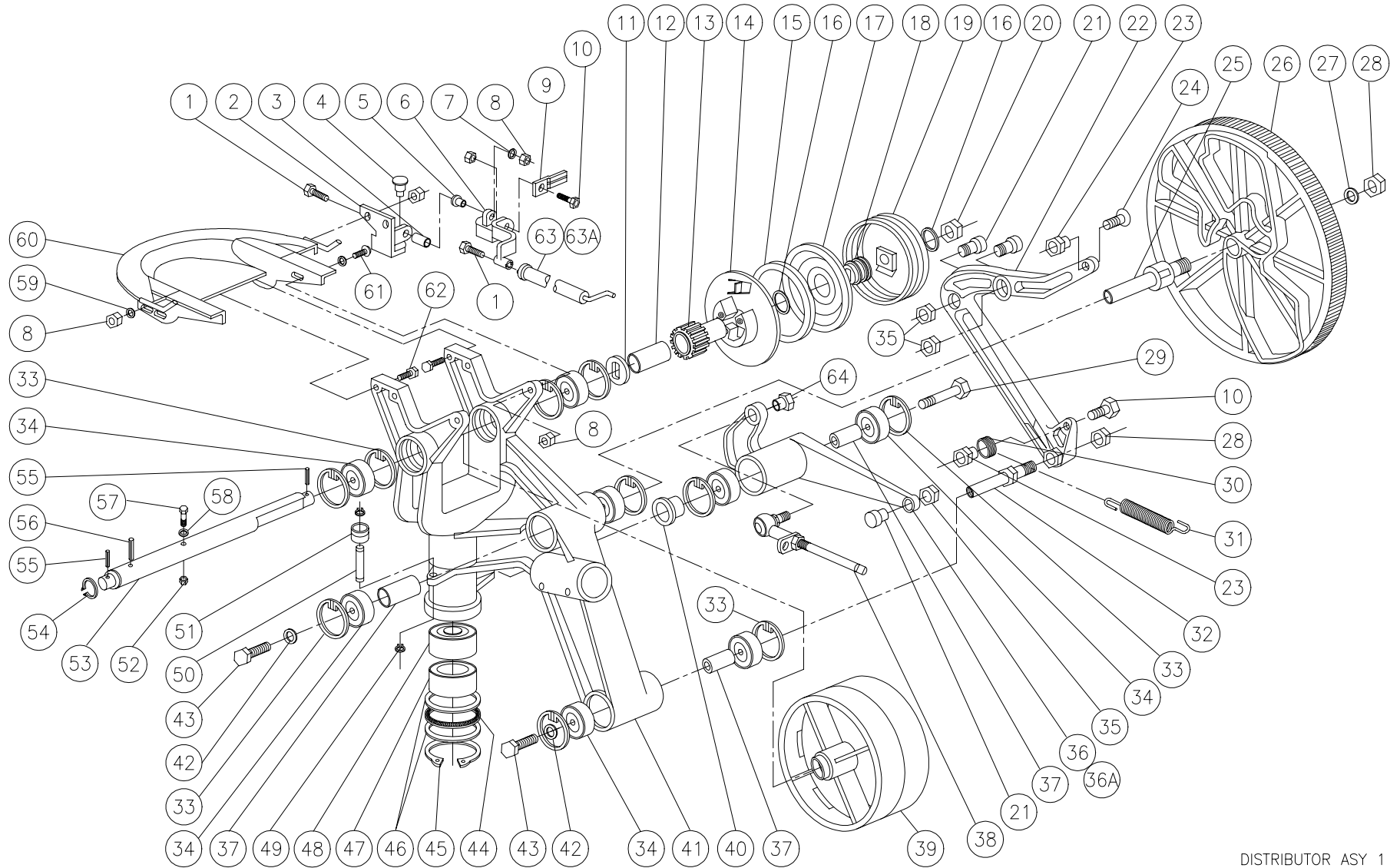


DISTRIBUTOR ASSEMBLY 1



DISTRIBUTOR ASY 1



DISTRIBUTOR ASSEMBLY 1

ITEM	QTY	PART #	DESCRIPTION
1	2	809-849-165	SCREW, HEX, ¼ - 20 X 1
2	1	070-006-084	TRIP STOP SUPPORT BRACKET
3	1	070-006-685	PIVOT
4	1	070-006-142	BUMPER
5	1	701-712-097	BEARING, .375 BORE
6	1	090-006-665	TRIP SUPPORT CASTING ASSEMBLY
7	1	000-026-865	WASHER
8	7	844-049-002	NUT, STOVER LOCK, ¼ - 20
9	1	070-006-691	STOP BLADE
10	2	809-849-125	SCREW, HEX, ¼ - 20 X ¾
11	1	070-007-376	THRUST WASHER
12	1	070-006-676	SLEEVE
13	1	070-006-686	PINION GEAR ASSEMBLY
14	1	070-006-692	CLUTCH PLATE ASSEMBLY
15	1	070-006-126	FRICITION DISC
16	2	070-006-121	WASHER, DISTRIBUTOR CLUTCH
17	1	070-006-130	CLUTCH PLATE
18	1	070-006-125	WORM
19	1	070-006-128	SPRING ASSEMBLY
20	1	835-582-002	NUT, HEX JAM, 5/8 - 18
21	3	070-006-071	CAM FOLLOWER
22	1	070-006-051	ARM
23	3	000-022-173	NUT, SPECIAL
24	1	808-849-100	SCREW, FLAT HD HEX SOCKET ¼ - 20 X 5/8
25	1	070-006-061	CAM SUPPORT SHAFT
26	1	070-006-149	INDEXING CAM
27	1	070-006-121	WASHER
28	2	844-073-002	NUT, STOVER LOCK, 1/2 - 13
29	1	070-006-048	BOLT, SPECIAL
30	2	070-006-111	SLEEVE
31	1	070-006-034	SPRING, LINEAR
32	1	070-006-049	SHAFT ARM
33	10	919-000-600	RETAINING RING
34	8	000-024-679	BEARING

ITEM	QTY	PART #	DESCRIPTION
35	3	844-049-002	NUT, STOVER LOCK, ¼ - 20
36	1	070-006-052	DRIVE ARM
36A	1	070-007-119	DRIVE ARM ASSY (includes: 33, 34, 36 & 37)
37	3	070-006-064	BEARING SPACER
38	1	090-005-262	ROD LINK ASSEMBLY
39	1	070-006-666	PULLEY, DISTRIBUTOR DRIVE BELT
40	1	070-006-065	RACE CLAMP
41	1	070-006-053	CASTING
42	2	948-761-112	WASHER, 11/16 X 11/32 X 1/16
43	2	809-857-080	SCREW, HEX, 5/16 - 18 X ½
44	1	070-006-074	BEARING, NEEDLE THRUST, 1.252 X 1.917
45	1	919-004-200	RETAINING RING
46	2	070-006-073	THRUST WASHER
47	1	070-006-076	NEEDLE BEARING, OPEN END
48	1	070-006-075	NEEDLE BEARING, CLOSED END
49	2	919-005-300	RETAINING RING
50	1	070-006-082	SPRING POST PIN
51	1	000-026-081	SPRING POST SLEEVE
52	1	840-039-002	NUT, FLEX LOCK, 10 - 24
53	1	070-006-077	SHAFT
54	2	919-005-600	RETAINING RING
55	2	913-437-140	SPRING PIN, 3/16 X 7/8
56	1	914-037-206	SPRING PIN, 3/16 X 1-1/4
57	1	810-239-240	SCREW, SOCKET HEAD CAP, 10-24 X 1½
58	1	948-745-082	WASHER, 7/32 X ½ X 1/16
59	6	948-753-102	WASHER, 5/8 X 9/32 X 1/16
60	1	090-003-077	ORIENTOR PAN
61	2	808-549-200	SCREW, BUTTON HEAD, 1/4 - 20 X 1-1/2
62	4	809-849-205	SCREW, HEX, ¼ - 20 X 1¼
63	1	090-006-663	TRIP STOP ROD ASSEMBLY
63A	1	090-006-668	TRIP STOP ROD & SUPPORT CASTING ASSEMBLY (includes 5, 6, 62, & 63)
64	1	070-006-069	NUT, SPECIAL