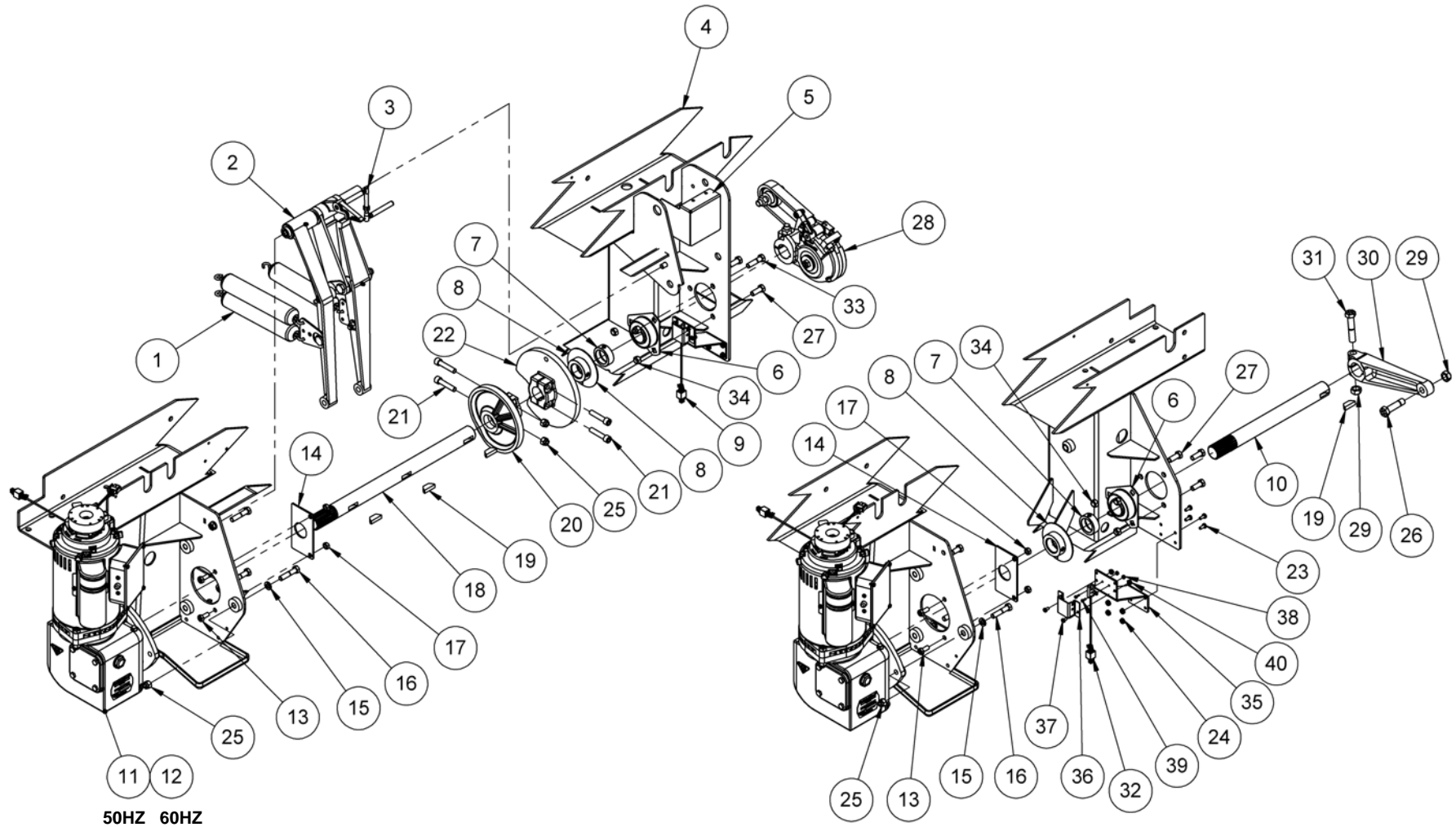


# FRONT END DRIVE





## FRONT END DRIVE

ITEM	QTY	PART #	DESCRIPTION
1	3	070-001-707	EXTENSION SPRING
2	1	070-006-492	RESPOT ARM LINK ASSEMBLY
3	1	070-006-493	BALL JOINT ASSEMBLY
4	1	088-500-200	CROSSBEAM WELDMENT, WIDE DUCT
5	1	090-005-029	SOLENOID COVER
6	2	701-420-034	BEARING, 1-1/4 BORE, 3-BOLT FLANGE
7	2	902-900-110	BEARING COLLAR, 1-1/4, LOCKING
8	2	088-000-038	HOME DISC ASSEMBLY
9	2	088-000-107	HOME ASSEMBLY, includes 32 & 35 -40
10	1	070-001-699	SWEEP DRIVE SHAFT
11	2	088-000-172	FRONT END DRIVE UNIT, 50 HZ
12	2	088-000-173	FRONT END DRIVE UNIT, 60 HZ
13	4	809-857-125	SCREW, HEX, 5/16 - 18 X 3/4
14	2	070-006-765	SHAFT PLATE
15	6	951-164-002	WASHER, SPLIT LOCK, 3/8
16	6	809-865-285	SCREW, HEX HEAD, 3/8 -16 X 1-3/4
17	4	844-057-002	NUT, STOVER LOCK, 5/16 - 18
18	1	090-005-565	TABLE DRIVE SHAFT
19	4	907-000-900	KEY
20	1	070-001-910	SPOT & RESPOT CAM
21	4	810-265-280	SCREW, SOCKET HEAD, 3/8 - 16 X 1 1/4
22	1	070-006-427	SHUTTLE CAM
23	8	818-240-082	SCREW, ROUND HEAD, 10-32 X 1/2
24	8	843-140-002	NUT, HEX LOCK, 10 - 32
25	9	839-665-002	NUT, FLEX LOCK, 3/8 - 16

ITEM	QTY	PART #	DESCRIPTION
26	1	070-003-243	SCREW, HEX, 1/2-13 X 2
27	5	809-865-165	SCREW, HEX, 3/8 - 16 X 1
28	1	090-005-550	TABLE DRIVE ASSEMBLY
29	2	844-073-002	NUT, STOVER LOCK, 1/2 - 13
30	1	000-023-139	CRANK ARM
31	1	809-873-405	SCREW, HEX, 1/2 - 13 X 2-1/2
32	2	088-000-022	ENCODER, HOME SENSOR ASSEMBLY
33	1	809-865-245	SCREW, HEX, 3/8-16 X 1-1/2
34	5	844-065-002	NUT, STOVER LOCK, 3/8-16
35	2	088-000-039	HOME SENSOR BRACKET
36	2	088-000-040	SENSOR COVER
37	4	818-233-062	SCREW, ROUND HEAD, 8-32 X 3/8, SEMS
38	4	843-121-002	NUT, 4-40, KEPS
39	4	817-921-060	SCREW, PAN HEAD, 4-40 X 3/8, SEMS
40	4	843-133-002	NUT, 8-32, KEPS